

Seal Kit



- Accurate data, standard dimensions
- Confirmed by Part Number
- High quality with good performance that works in hard conditions

YNF02892 31Y1-15040	YNF02899 31Y1-15390	YNF02903 31Y1-15540	YNF02893 31Y1-18110	YNF02900 31Y1-18170
YNF02904 31Y1-18210	YNF02167 31Y1-18412	YNF02164 31Y1-20910	YNF02165 31Y1-24671	YNF02166 31Y1-24791
YNF02160 31Y1-33710	YNF02163 31Y1-33711	YNF02161 31Y1-33870	YNF02159 31Y1-34011	YNF02162 31Y1-35150
YNF02157 31Y1-35451	YNF02158 31Y1-35590	YNF02156 31Y1-35840 31Y1-35841	YNF02529 154-63-X2010X	YNF02528 154-63-X2070X

The catalog doesn't cover all the seal kits we are doing now. If you can't find the one you need, please contact us.

Seal Kit

YNF02482 195-63-05041	YNF02130 195-63-05110	YNF02480 195-63-05120	YNF02481 195-63-05130	YNF01489 331/39036
YNF01490 331/39041	YNF01491 331/39047	YNF03326 415-7469	YNF03325 415-7472	YNF00930 707-01-01040
YNF02378 707-98-23870	YNF02377 707-98-24330	YNF02379 707-98-24770	YNF02380 707-98-29630	YNF02520 707-98-44200
YNF02527 707-98-52210	YNF02521 707-98-64120	YNF00957 707-99-34510	YNF02525 707-99-44055	YNF02173 707-99-45230
YNF02176 707-99-45310	YNF02519 707-99-45376	YNF02175 707-99-46130	YNF02174 707-99-57160	YNF02129 707-99-58080








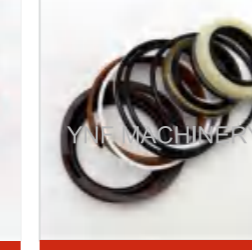
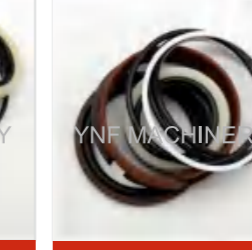
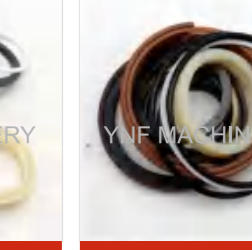
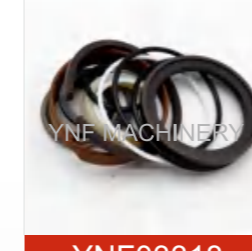

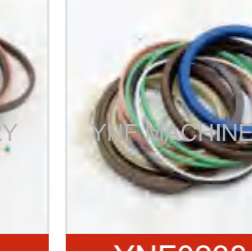




The catalog doesn't cover all the seal kits we are doing now. If you can't find the one you need, please contact us.

Seal Kit

				
YNF02171 707-99-58090	YNF02560 707-99-58360	YNF02179 707-99-64200	YNF02526 707-99-64550	YNF02177 707-99-66600
				
YNF02178 707-99-66610	YNF02172 707-99-67090	YNF02561 707-99-67280	YNF02169 707-99-69770	YNF02523 707-99-71440
				
YNF02168 707-99-72290	YNF02170 707-99-72370	YNF02524 707-99-75430	YNF01501 903/20916	YNF01507 903/21049
				
YNF01493 903/21061	YNF01700 2440-9279BKT	YNF03347 2440-9280CKT	YNF03348 2440-9281AKT	YNF01601 4487340
				
YNF00744 4663495	YNF02968 9062895 & 9062896	Liebherr 9063688	Liebherr 9064515	Liebherr 9154141

The catalog doesn't cover all the seal kits we are doing now. If you can't find the one you need, please contact us.

Seal Kit

				
Liebherr 9061003	Liebherr 94027947	YNF02148 9156782 & 9156783	YNF02967 9158144 & 9062895	Liebherr 9060197
				
Liebherr 9165363	Liebherr 9165440	Liebherr 9169653	Liebherr 94006889	Liebherr 94028403
				
Liebherr 94055829	YNF03316 K9005266	YNF03315 K9005267	YNF03317 K9005268	YNF03319 K9005269
				
YNF03318 K9005270	YNF02922 XKAY-00278	YNF02382 YA00001392	YNF02384 YA00001396	YNF02383 YA00001400
				
YNF02150 9154141 & 9062895	YNF03199 SH240-5 main valve seal kit	YNF03200 EX60-1 pilot pump seal kit	YNF01458 YV01V00003R300	CXMG 860120304

The catalog doesn't cover all the seal kits we are doing now. If you can't find the one you need, please contact us.

Floating Seal / O-ring Kit

Floating Seal

浮动油封



P/N	浮动油封环 Steel Ring		胶圈 O-Ring		P/N	浮动油封环 Steel Ring		胶圈 O-Ring	
	外径 OD	高度 Height	内径 ID	直径 Diameter		外径 OD	高度 Height	内径 ID	直径 Diameter
HI 4110358	62	12.2	52	7.6	1P7249	146	16	128	9.5
HI 4128201	70	12.5	60.8	7.6	170-27-00010	151	16	137	9.2
140-30-00040	75	14.5	61	8	5K5288	156.9	12.7	142.5	6.2
HI 4110359	78	12.6	67	8	5K1078	168.1	13	154.3	6.3
2M2858	82.5	16	66.2	9.6	175-27-00121	170.5	16.2	155	9.3
20Y-30-00070	86.8	10.75	75.8	7	4K6049	171.7	19	147.3	12.7
141-30-00610	90	14.5	76.5	9	180-27-00021	180	16	166	9
1M8747	92	16	76	9.5	7M0481	191.2	19	167	12.7
150-30-00035	94	14.5	80	9.3	5M1176	210.3	19	184	12.7
175-30-00702	100	14.7	86	9.2	8P1848	210.3	23	184	12.7
6S3285	105	13	92.5	6.3	207-27-00010	215	16.5	195	10.3
20Y-30-00040	107	11	96	7	HI 4110368	234	21	215	13
20Y-30-00041	109	11	96	7	HI 4110369	246	18	225	12.7
1M8746	109.5	15.9	93	9.5	5M8647	251.4	19	225	12.7
HI 4110360	114	16	99	9.5	9W6686	251.5	22.2	225	12.7
20Y-30-00100	117	10.7	105	7	130-27-00010	252	20	230	12
1M8748	119.1	16.5	102	9.4	141-27-00010	268	21	248.5	12
205-30-00050	122	16.5	106	10	141X-27-00100	288	20.5	266	12
KO4825	127	16	113	10	5M1177	292.8	23	265	12.7
130-27-00020	132	16	117	9.4	5M7294	346.4	19	318	12.7
207-30-00101	141	11	130	7	4D4510	394.5	19	370	12.7
					4D8960	457.2	19	436	12.7

The catalog doesn't cover all the seal kits we are doing now. If you can't find the one you need, please contact us.



Different kinds of O-RING kit

Pusher

	YNF01886 E200B E320 R-5 SH-A3 (10mm Deep) <i>(for handle)</i>		YNF03030 E320B/C/D SK200-3/5/6 (25mm deep) <i>(for handle)</i>		YNF03031 SK200-6E SK-8 SHA1/A2 (15mm deep) <i>(for handle)</i>
	YNF01887 DH-5 Φ12mm <i>(for handle)</i>		YNF01888 DH-7 (OD7.6*25 deep) <i>(for handle)</i>		YNF03021 R-7 <i>(for handle)</i>
	YNF03033 DH55 R-9 <i>(for handle)</i>		YNF03034 DX200/300 <i>(for handle)</i>		YNF01889 PC-7/-8 <i>(for handle)</i>
	YNF03035 PC-6 <i>(for handle)</i>		YNF01891 E307 SH120A1A2 <i>(for handle)</i>		YNF01892 EX200-1 (38mm) <i>(for handle)</i>
	YNF01893 EX200-1 (47mm) <i>(for handle)</i>		YNF01894 EX200-2 EX200-3 EX200-5 <i>(for handle)</i>		YNF01895 HD800 HD900 Hd1430 <i>(for handle)</i>
	YNF01896 PC-3/5 <i>(for handle)</i>		YNF01897 SY65 SY60 <i>(for handle)</i>		YNF01898 SY75 <i>(for handle)</i>

Pusher

Pusher

	YNF01899 YC60 <i>(for handle)</i>		YNF01900 ZAX-3 ZAX <i>(for handle)</i>		YNF01901 ZAX (EFI long) <i>(for handle)</i>
	YNF01902 Kubota <i>(for handle)</i>		YNF01903 Sunworld 70 <i>(for handle)</i>		YNF01904 IHI55 IHI60 <i>(for handle)</i>
	YNF01905 Yanmar VIO 55 <i>(for handle)</i>				
	YNF01890 DH-5(new type) DH-7 DH-9 R-7 R-9 <i>(for traveling)</i>		YNF01906 DX60 <i>(for traveling)</i>		YNF01907 ZAX-1 ZAX-3 ZAX-6 <i>(for traveling)</i>
	YNF01908 E200B <i>(for traveling)</i>		YNF01909 E320C <i>(for traveling)</i>		YNF01910 EX-5 <i>(for traveling)</i>
	YNF01911 EX200-2/-3 <i>(for traveling)</i>		YNF01912 R-5 DH-5(old type) <i>(for traveling)</i>		YNF01913 SH200A3 SH200A5 <i>(for traveling)</i>

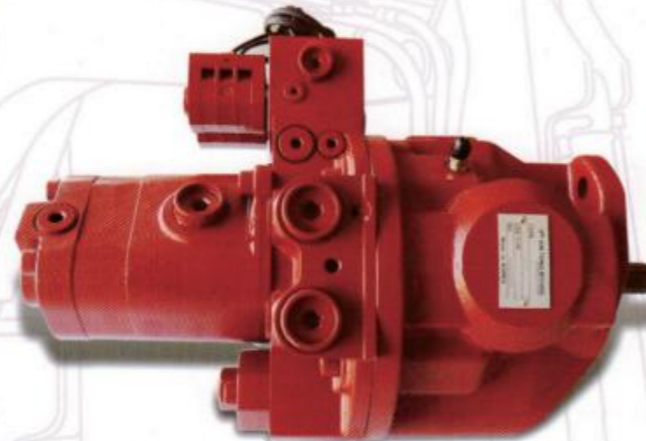
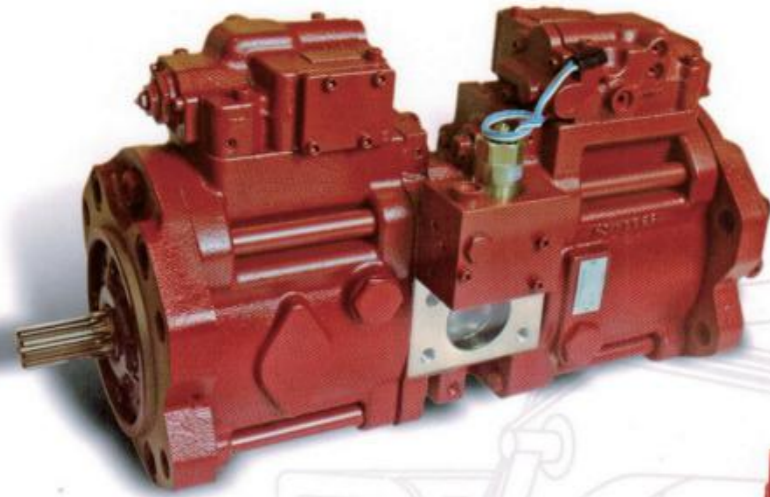
	YNF01914 SK-6 <i>(for handle)</i>		YNF01915 SH200A1/A2 Kato <i>(for handle)</i>		YNF01916 SK-8 YC60 (valve only) <i>(for handle)</i>
	YNF01917 SK-8 <i>(for handle)</i>		YNF01918 YC60 SY75 Lonking 60 <i>(for handle)</i>		YNF02392 - <i>(assembly)</i>
	YNF01919 -		YNF01920 -		YNF01921 -

Hydraulic Pumps

Hydraulic Parts

◆ K3V总成

适用机型：
神钢(SK)、加藤(HD)、住友(SH)、
现代(R)、大宇(DH); 小松(PC)、
日立(EX)



◆ AP2D25/28总成

适用机型：
现代(R)、大宇(DH)



◆ AP2D25总成

适用机型：
大宇(DH)、小松(PC)

Conversion Kit



Joystick / Pedal Valve



Hot items



Servo Piston



Piston



Cylinder Block
Valve Plate



Ball Guide



Yoke Ass'y



Springs



Pistons
Shoe Plate



Regulator Ass'y



Servo Piston Set



Sleeve



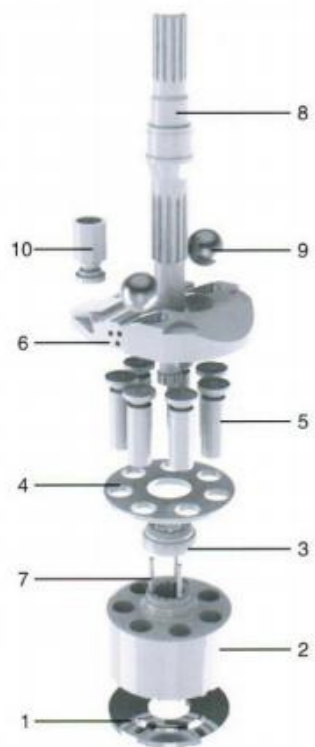
Hydraulic Pump



Gear Pump

Komatsu Excavator Pump Series

Komatsu Excavator Pump Series

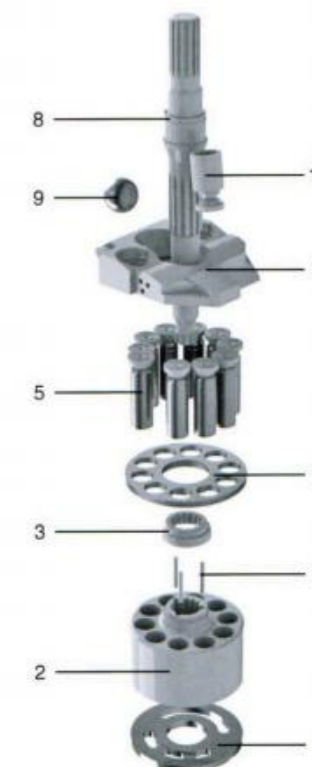


PC30-7

NO.	Product Name	QTY	NOTE
1	配油盘 VALVE PLATE	1	
2	泵胆 CYLINDER BLOCK	1	
3	球铰 BALL GUIDE	1	
4	回程盘 SET PLATE	1	
5	柱塞 PISTON	7	
6	斜盘 SWASH PLATE	1	
7	顶针 PIN	3	
8	驱动轴 DRIVE SHAFT	1	
9	球 BALL	2	
10	斜盘柱塞 PISTON OF CAM ROCKER	1	

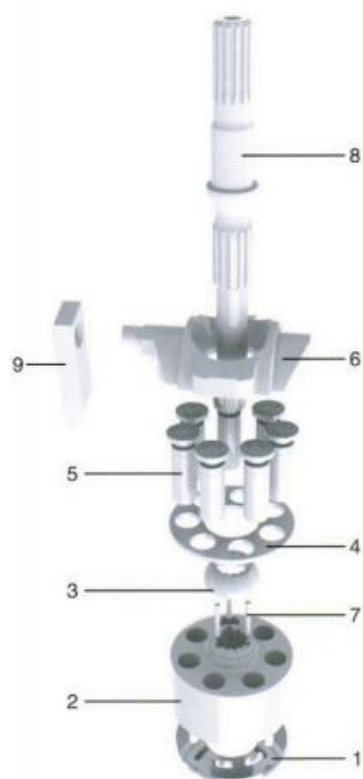
PC35

NO.	Product Name	QTY	NOTE
1	配油盘 VALVE PLATE	1	
2	泵胆 CYLINDER BLOCK	1	
3	球铰 BALL GUIDE	1	
4	回程盘 SET PLATE	1	
5	柱塞 PISTON	10	
6	斜盘 SWASH PLATE	1	
7	顶针 PIN	3	
8	驱动轴 DRIVE SHAFT	1	
9	球 BALL	2	
10	斜盘柱塞 PISTON OF CAM ROCKER	1	



Komatsu Excavator Pump Series

Komatsu Excavator Pump Series



PC30/40-8

NO.	Product Name	QTY	NOTE
1	配油盘 VALVE PLATE	1	
2	泵胆 CYLINDER BLOCK	1	
3	球铰 BALL GUIDE	1	
4	回程盘 SET PLATE	1	
5	柱塞 PISTON	7	
6	摇摆 CAM PLATE	1	
7	顶针 PIN	3	
8	驱动轴 DRIVE SHAFT	1	
9	摇摆拨块 SLIDER BLOCK	1	

PC45

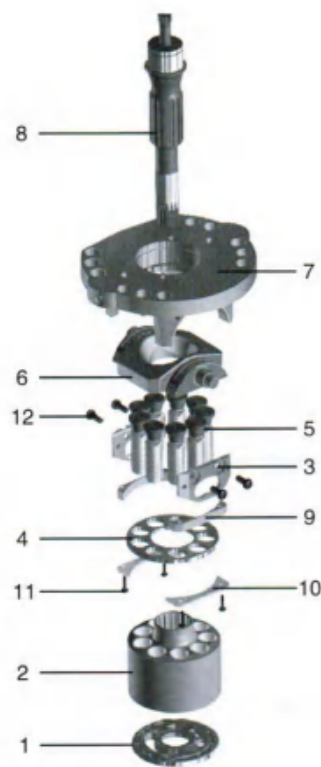
NO.	Product Name	QTY	NOTE
1	配油盘 VALVE PLATE	1	
2	泵胆 CYLINDER BLOCK	1	
3	球铰 BALL GUIDE	1	
4	回程盘 SET PLATE	1	
5	柱塞 PISTON	10	
6	摇摆 SWASH PLATE	1	
7	顶针 PIN	3	
8	驱动轴 DRIVE SHAFT	1	
9	摇摆拨块 SLIDER BLOCK	1	



Komatsu Excavator Pump Series

HPV35/55/90/160

(PC60-3/5/6 PC100/120-3/5 PC200/220-3/5 PC300/400-3/5)



NO.	Product Name	QTY	NOTE
1	配油盘(左/右)	VALVE PLATE(L/R)	1
2	泵胆	CYLINDER BLOCK	1
3	摇摆拨块	THRUST BEARING	2
4	回程盘	SET PLATE	1
5	柱塞	PISTON	9
6	摇摆	CAM ROCKER	1
7	摇摆座(左/右)	SUPPORT(L/R)	1
8	驱动轴(左/右)	DRIVE SHAFT(L/R)	1
9	固定垫块	FIX BLOCK	2
10	固定压板	FIX PLATE	2
11	螺钉	SOCKET BLOT	4
12	铜耳螺钉	SOCKET BOLT OF STOP BLOCK	4

Komatsu Excavator Pump Series

HPV95

(PC60-7)

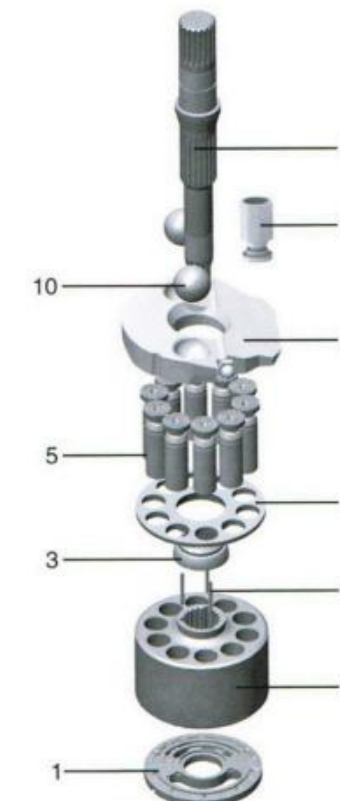


NO.	Product Name	QTY	NOTE
1	配油盘(新/旧)	VALVE PLATE(New/Old)	1
2	泵胆	CYLINDER BLOCK	1
3	球铰	BALL GUIDE	1
4	回程盘	SET PLATE	1
5	反包柱塞	PISTON	9
6	摇摆	CAM ROCKER	1
7	支架(新/旧)	SUPPORT(New/Old)	1
8	驱动轴	DRIVE SHAFT	1
9	顶针	PIN	3

Komatsu Excavator Pump Series

PC70UU/78US-6

NO.	Product Name	QTY	NOTE
1	配油盘	VALVE PLATE	1
2	泵胆	CYLINDER BLOCK	1
3	球铰	BALL GUIDE	1
4	回程盘	SET PLATE	1
5	反包柱塞	PISTON SHOE	10
6	斜盘	SWASH PLATE	1
7	顶针	PIN	3
8	驱动轴	DRIVE SHAFT	1
9	斜盘柱塞	PISTON OF CAM ROCKER	1
10	斜盘小球	BALL OF CAM ROCKER	1

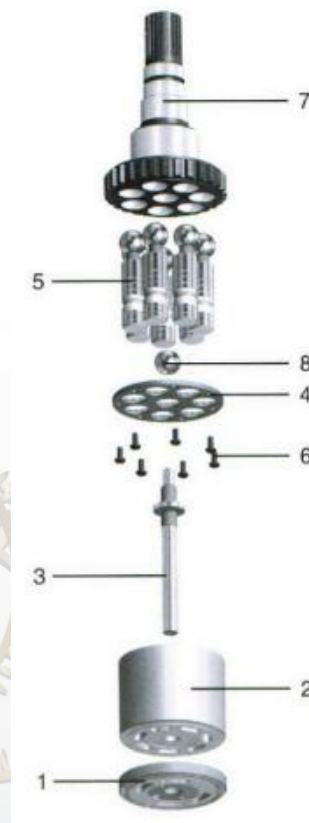


Komatsu Excavator Pump Series

Application: Komatsu excavator pump, swing motor, travelling motor

KPV90/105 KMF90/160

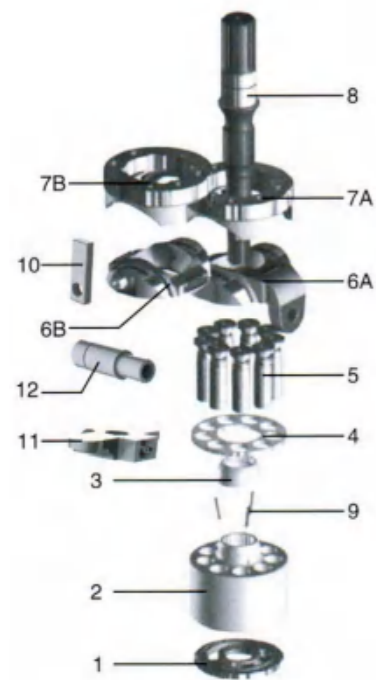
NO.	Product Name	QTY	NOTE
1	配油盘	VALVE PLATE	1
2	泵胆	CYLINDER BLOCK	1
3	中心轴	CENTER PIN	1
4	回程盘	SET PLATE	1
5	连杆柱塞	PISTON	7
6	螺钉	SOCKET BOLT	7
7	驱动轴	DRIVE SHAFT	1
8	支撑	HOLDER	1



Komatsu Excavator Pump Series

HPV95/132/140/165

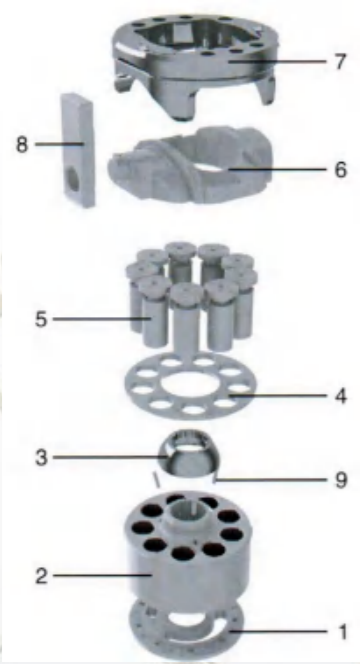
(PC200-6/7 PC200/400-6 PC300/400-7/8)



NO.	Product Name	QTY	NOTE
1	配油盘(左/右)	VALVE PLATE(L/R)	1
2	泵胆	CYLINDER BLOCK	1
3	球铰	BALL GUIDE	1
4	回程盘	SET PLATE	1
5	反包柱塞	PISTON	9
6A	(95)	CAM ROCKER(95)	1
6B	(102)	CAM ROCKER(102)	1
7A	(95)	SUPPORT(95)	1
7B	(102)	SUPPORT(102)	1
8	驱动轴(左/右)	DRIVE SHAFT(L/R)	1
9	顶针	PIN	3
10	摇摆拨块	SLIDE BLOCK	1
11	飞机头	SERVO PISTON PIN	1
12	伺服活塞	SERVO PISTON	1

Komatsu Excavator Pump Series

PC210-7K钻机(欧版)



NO.	Product Name	QTY	NOTE
1	配油盘(左/右)	VALVE PLATE(L/R)	1
2	泵胆	CYLINDER BLOCK	1
3	球铰	BALL GUIDE	1
4	回程盘	RETAINER PLATE	1
5	柱塞	PISTON	9
6	摇摆	CAM ROCKER	1
7	摇摆座	SUPPORT	1
8	摇摆拨块	SLIDE BLOCK	1
9	顶针	PIN	3

Hitachi Excavator Pump Series

HPV125A/B

NO.	Product Name	QTY	NOTE
1	配油盘(A/B)	VALVE PLATE(A/B)	1
2	泵胆	CYLINDER BLOCK	1
3	连接轴承	JOINT BEARING	6
4	轴承座	AXLE SHAFT	2
5	连杆柱塞	PISTON	7
6	中心轴承连杆	CENTER JOINT ROD	1
7	锁紧螺母	LOCK NUT	1
8	轴	DRIVE SHAFT	1



Hitachi Excavator Pump Series

Application: excavators & boats

KVC925/930/932

NO.	Product Name	QTY	NOTE
1	配油盘	VALVE PLATE	1
2	泵胆	CYLINDER BLOCK	1
3	轴承座	AXLE SHAFT	2
4	回程盘	SET PLATE	1
5	柱塞	PISTON	9
6	止推板	SHOE PLATE	1
7	千秋架	SWASH PLATE	1
8	驱动轴	DRIVE SHAFT	1
9	牛眼轴承	EYE BALL BEARING	2
10	铜环	GUIDE RING	1
11	锁片	FIX PLATE	2



Hitachi Excavator Pump Series

HPV050/102/105/118

(EX100/120/135/200/220-5 ZAX200/210/230/240EFI/270-3EFI)



NO.	Product Name	QTY	NOTE
1	配油盘(左/右)	VALVE PLATE(L/R)	2
2	泵胆	CYLINDER BLOCK	2
3	中心轴	CENTER PIN	2
4	配流盘螺钉	BOLT OF VALVE PLATE	4
5	连杆柱塞	PISTON	14
6	配流盘卡簧	SNAP RING	4
7	配流盘拉叉	FEED BACK LEVER	2
8	驱动轴(右)	DRIVE SHAFT(R)	1
9	驱动轴(左)	DRIVE SHAFT(L)	1
10	图钉销	PIN OF LINK	4
11	泵胆弹簧	COIL SPRING	2
12	平面中心销	SERVO PISTON PIN	2
13	伺服活塞	SERVO PISTON	2
14	后盖	HEAD COVER	1
15	锁紧螺母	LOCK NUT	2

Hitachi Excavator Pump Series



HPK055A

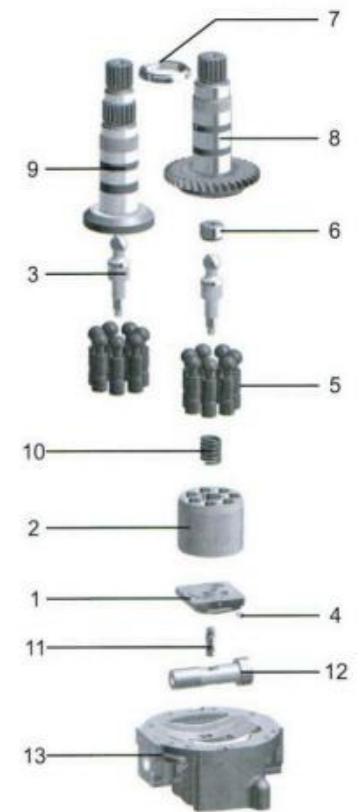
(EX120-6 ZAX110/120/130-5/6)

NO.	Product Name	QTY	NOTE
1	配油盘(左/右)	VALVE PLATE(L/R)	1
2	泵胆	CYLINDER BLOCK	1
3	球铰	BALL GUIDE	1
4	回程盘	RETAINER PLATE	1
5	反包柱塞	PISTON	9
6	支架总成(左/右)	YOKE ASS'Y(L/R)	1
7	驱动轴(左/右)	DRIVE SHAFT(L/R)	
8	蝶形弹簧	DISK SPRING	4

Hitachi Excavator Pump Series

HPV091DS/ES

NO.	Product Name	QTY	NOTE
1	配油盘	VALVE PLATE	1
2	泵胆	ROTOR	1
3	中心轴	CENTER PIN	1
4	配流盘螺钉	BOLT OF VALVE PLATE	2
5	连杆柱塞	PISTON	7
6	中心轴帽	CENTER PIN HOLDER	1
7	锁紧螺母	LOCK NUT	1
8	驱动轴(DS)	DRIVE SHAFT(DS)	1
9	驱动轴(ES)	DRIVE SHAFT(ES)	1
10	泵胆弹簧	COIL SPRING	1
11	平面中心销	SERVO PISTON PIN	1
12	伺服活塞	SERVO PISTON	1
13	后盖	HEAD COVER	1

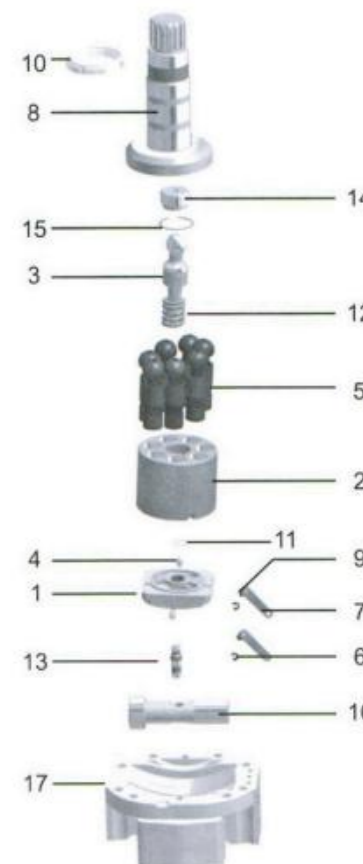


Hitachi Excavator Pump Series

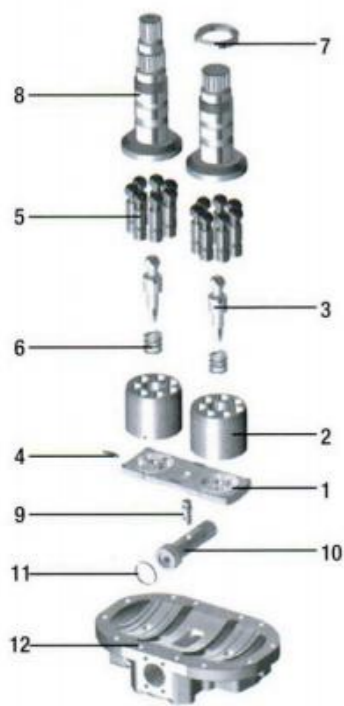
HPV116/145

(EX200/220-1 EX300-1/2/3/5 ZAX270/330/350/360)

NO.	Product Name	QTY	NOTE
1	配流盘	VALVE PLATE	1
2	泵胆	CYLINDER BLOCK	1
3	中心轴	CENTER PIN	1
4	配流盘螺钉	BOLT OF VALVE PLATE	2
5	连杆柱塞	PISTON	7
6	配流盘小卡簧	SNAP RING OF BOLT	4
7	配流盘拉叉	FEED BACK LEVER	2
8	驱动轴	DRIVE SHAFT	1
9	图钉销	PIN OF LINK	2
10	锁紧螺母	LOCK NUT	1
11	中心轴小卡簧	SNAP RING OF CENTER	1
12	泵胆弹簧	COIL SPRING	1
13	平面中心销	SERVO PISTON PIN	1
14	中心轴帽	CENTER PIN HOLDER	1
15	中心轴卡簧(大)	SNAP RING OF CENTER(BIG)	1
16	伺服活塞	SERVO PISTON	1
17	后盖	HEAD COVER	1



Hitachi Excavator Pump Series



HPV091DW/EW

(EX200/220-2/3)

NO.	Product Name	QTY	NOTE
1	配油盘	VALVE PLATE	1
2	泵胆	CYLINDER BLOCK	2
3	中心轴	CENTER PIN	2
4	配流盘螺钉	BOLT OF VALVE PLATE	1
5	连杆柱塞	PISTON	14
6	泵胆弹簧	COIL SPRING	2
7	锁紧螺母	LOCK NUT	2
8	驱动轴(左/右)	DRIVE SHAFT(L/R)	1
9	平面中心销	SERVO PISTON PIN	1
10	伺服活塞	SERVO PISTON	1
11	伺服活塞环	RING OF SERVO PISTON	2
12	后盖	HEAD COVER	1

Caterpillar Excavator Pump Series



VRD63

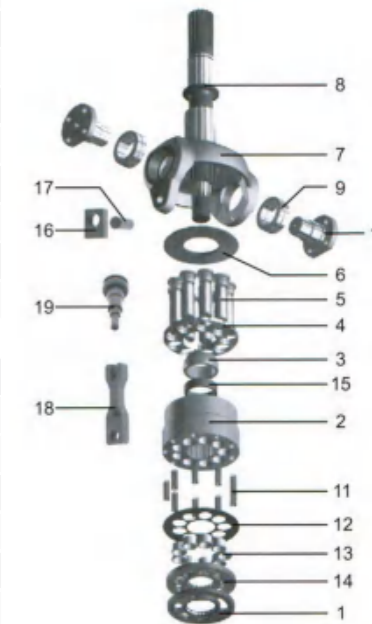
(E110/120B)

NO.	Product Name	QTY	NOTE
1	配油盘(左/右)	VALVE PLATE(L/R)	1
2	泵胆	CYLINDER BLOCK	1
3	球铰	BALL GUIDE	1
4	回程盘	SET PLATE	1
5	反包柱塞	PISTON SHOE	9
6	摇摆总成	YOKE ASS'Y	1
7	顶针	PIN	3
8	驱动轴(左/右)	DRIVE SHAFT(L/R)	1

Caterpillar Excavator Pump Series

SPK/SPV-10/10 (E200B OLD E180-3/8 E240)

NO.	Product Name	QTY	NOTE
1	配流盘(左/右)	VALVE PLATE(L/R)	1
2	泵胆	CYLINDER BLOCK	1
3	球铰	BALL GUIDE	1
4	回程盘	SET PLATE	1
5	柱塞	PISTON	9
6	止推板	SHOE PLATE	1
7	千秋架	SWASH PLATE	1
8	驱动轴(左/右)	DRIVE SHAFT(L/R)	1
9	牛眼轴承	EYE BALL BEARING	2
10	轴承座	AXLE SHAFT	2
11	弹簧	COIL SPRING	9
12	薄九孔板	SEAL RETAINER	1
13	小套	DRUM SEAL	9
14	衬板	VALVE PLATE	1
15	球铰垫圈	BALL GUIDE WASHER	1
16	斜盘拨块	SLIDE BLOCK	1
17	拨块销	DRUM SEAL	1
18	拨叉	SHIFTING FORK	1
19	拨叉螺丝	SHIFTING FORK BOLT	1



Caterpillar Excavator Pump Series

E200B NEW AP12

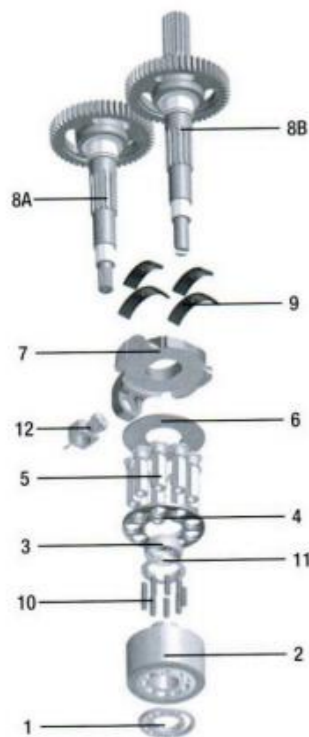
(E110/120B)

NO.	Product Name	QTY	NOTE
1A	配流盘(左/右)	VALVE PLATE(L/R)	1
1B	配流盘(左/右)	VALVE PLATE(L/R)	1 E200B NEW
2	泵胆	CYLINDER BLOCK	1
3	球铰	BALL GUIDE	1
4	回程盘	SET PLATE	1
5	柱塞	PISTON	9
6	止推板	SHOE PLATE	1
7	千秋架	SWASH PLATE	1
8	驱动轴(左/右)	DRIVE SHAFT(L/R)	1
9	牛眼轴承	EYE BALL BEARING	2
10	轴承座	AXLE SHAFT	2
11	弹簧	COIL SPRING	9
12	球铰垫圈	BALL GUIDE WASHER	1



Caterpillar Excavator Pump Series

SBS80/120/140 (E312/320/325C/D)



NO.	Product Name	QTY	NOTE
1	配流盘(左/右)	VALVE PLATE(L/R)	1
2	泵胆	CYLINDER BLOCK	1
3	球铰	BALL GUIDE	1
4	回程盘	SET PLATE	1
5	柱塞	PISTON	9
6	止推板	SHOE PLATE	1
7	摇摆	CAM ROCKER	1
8	驱动轴(左)	DRIVE SHAFT(L)	1
9	驱动轴(右)	DRIVE SHAFT(R)	1
10	轴瓦	SLIDING BEARING	2
11	弹簧	COIL SPRING	9
12	球铰垫圈	BALL GUIDE WASHER	1
13	摇摆和尚头	SERVO PISTON PIN	1

Caterpillar Excavator Pump Series

Application: construction machinery or excavator pump



CAT12G/14G/16G

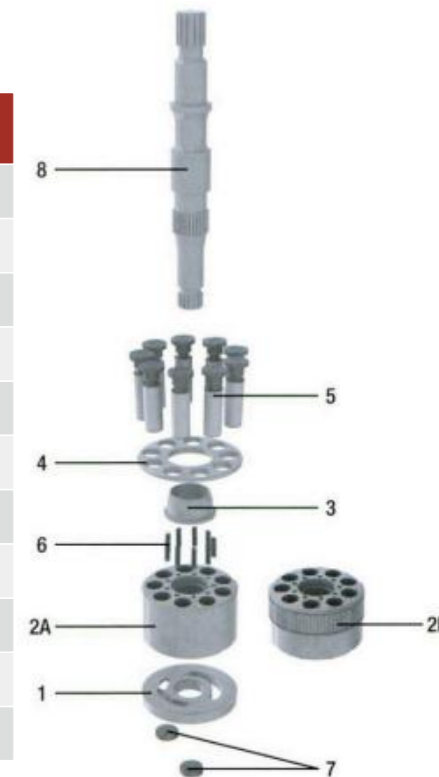
NO.	Product Name	QTY	NOTE
1	配油盘	VALVE PLATE	1
2	泵胆	CYLINDER BLOCK	1
3	固定环	FIX PLATE	1
4	回程盘	SET PLATE	1
5	柱塞	PISTON	9
6	止推板	SHOE PLATE	1
7	驱动轴	DRIVE SHAFT	1

Kayaba Pump Series

Application: 8T Toshiba pump

PVB92 PVC80-80

NO.	Product Name	QTY	NOTE
1	配流盘(左/右)	VALVE PLATE(L/R)	1
2A	泵胆	CYLINDER BLOCK	1 PVB
2B	泵胆	CYLINDER BLOCK	1 PVC
3	球铰	BALL GUIDE	1
4	回程盘	SET PLATE	1
5	柱塞	PISTON	9
6	弹簧	COIL SPRING	9
7	平面销	FLAT	2
8	驱动轴	DRIVE SHAFT	1



Kayaba Pump Series

Application: 3.5T-6T excavators

PSVD21-17E/21E/26E/27E

NO.	Product Name	QTY	NOTE
1	配流盘	VALVE PLATE	1
2	泵胆	CYLINDER BLOCK	1
3	球铰	BALL GUIDE	1
4	回程盘	SET PLATE	1
5	反包柱塞	PISTON	10
6	摇摆	CAM ROCKER	1
7	轴瓦	SLIDING BEARING	2
8	驱动轴	DRIVE SHAFT	1
9	顶针	PIN	3



Kayaba Pump Series

Application: Kubota excavators



PSVL-54/U60

NO.	Product Name	QTY	NOTE
1	配流盘	VALVE PLATE	1
2	泵胆	CYLINDER BLOCK	1
3	球铰	BALL GUIDE	1
4	回程盘	SET PLATE	1
5	反包柱塞	PISTON	9
6	摇摆	CAM ROCKER	1
7	顶针	PIN	3

Nachi Pump Series

Application: Excavator pump, Komatsu, Hitachi, Yuchai



PVD-2B-17/32/34/36/38/40/42/63

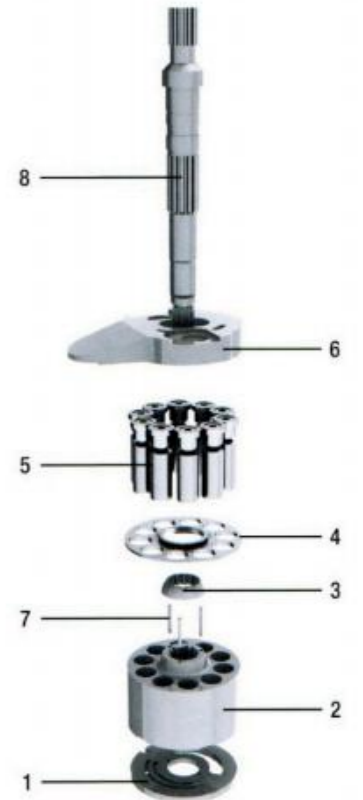
NO.	Product Name	QTY	NOTE
1	配流盘	VALVE PLATE	1
2	泵胆	CYLINDER BLOCK	1
3	球铰	BALL GUIDE	1
4	回程盘	SET PLATE	1
5	柱塞	PISTON	10
6	摇摆	CAM ROCKER	1
7	顶针	PIN	3
8	驱动轴	DRIVE SHAFT	1

Nachi Pump Series

Application: Excavator pump, Komatsu, Hitachi, Takeuchi

PVD-1B/15B-29/32/35

NO.	Product Name	QTY	NOTE
1	配流盘	VALVE PLATE	1
2	泵胆	CYLINDER BLOCK	1
3	球铰	BALL GUIDE	1
4	回程盘	SET PLATE	1
5	柱塞	PISTON	10
6	斜盘	CAM ROCKER	1
7	顶针	PIN	3
8	驱动轴	DRIVE SHAFT	1



Nachi Pump Series

Application: Excavators

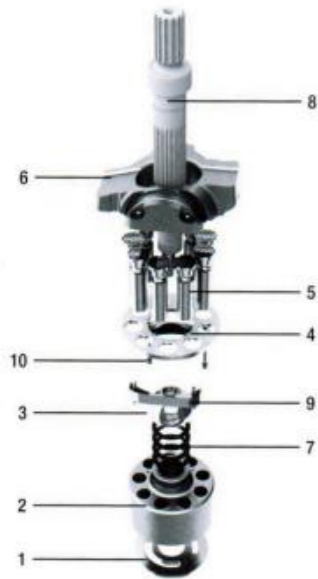
PVD-3B-54/60 (SK60/75)

NO.	Product Name	QTY	NOTE
1	配流盘	VALVE PLATE	1
2	泵胆	CYLINDER BLOCK	1
3	球铰	BALL GUIDE	1
4	回程盘	SET PLATE	1
5	柱塞	PISTON	10
6	止推板	SHOE PLATE	1
7	摇摆	CAM ROCKER	1
8	驱动轴	DRIVE SHAFT	1
9	球铰垫圈	BALL GUIDE WASHER	1



Sumitomo Excavator Pump Series

A20V064 (SH120A3)



NO.	Product Name	QTY	NOTE
1	配流盘	VALVE PLATE	1
2	泵胆	CYLINDER BLOCK	1
3	球铰	BALL GUIDE	1
4	回程盘	SET PLATE	1
5	柱塞	PISTON	9
6	摇摆(左/右)	CAM ROCKER(L/R)	1
7	蝶形弹簧	DISK SPRING	4
8	驱动轴	DRIVE SHAFT	1
9	固定压板	FIX PLATE	2
10	螺钉	SOCKET BOLT	4

Kawasaki Pump Series

Application: 8T Excavator, Kobelco, Liugong, Yuchai



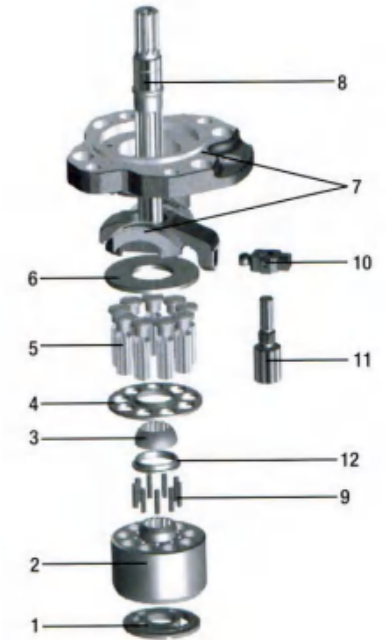
K3SP36B/C

NO.	Product Name	QTY	NOTE
1	配流盘	VALVE PLATE	1
2	泵胆	CYLINDER BLOCK	1
3	球铰	BALL GUIDE	1
4	回程盘	SET PLATE	1
5	柱塞	PISTON	10
6	斜盘	CAM ROCKER	1
7	斜盘变量圆球(左/右)	SWASH PLATE(L/R)	1
8	驱动轴	DRIVE SHAFT	1
9	弹簧	COIL SPRING	10
10	摇摆和尚头	SERVO PISTON PIN	1

Kawasaki Excavator Pump Series

K3V63/112/140/180/280DT K5V80/140/160/200DT

NO.	Product Name	QTY	NOTE
1	配流盘(左/右)	VALVE PLATE(L/R)	1
2	泵胆	CYLINDER BLOCK	1
3	球铰	BALL GUIDE	1
4	回程盘	SET PLATE	1
5	柱塞	PISTON	9
6	止推板	SHOE PLATE	1
7	摇摆总成	YOKE ASS'Y	1
8	驱动轴(左/右)	DRIVE SHAFT(L/R)	1
9	弹簧	COIL SPRING	9
10	摇摆和尚头	SERVO PISTON PIN	1
11	伺服活塞	SERVO PISTON	1
12	球铰垫圈	SPACE OF BALL GUIDE	1



Kawasaki Excavator Pump Series

K3V63/112BDT (SK100/120/200-5/6)

NO.	Product Name	QTY	NOTE
1	配流盘(左/右)	VALVE PLATE(L/R)	1
2	泵胆	CYLINDER BLOCK	1
3	球铰	BALL GUIDE	1
4	回程盘	SET PLATE	1
5	柱塞	PISTON	9
6	止推板	SHOE PLATE	1
7	摇摆总成	YOKE ASS'Y	1
8	驱动轴(左/右)	DRIVE SHAFT(L/R)	1
9	弹簧	COIL SPRING	9
10	摇摆和尚头	SERVO PISTON PIN	1
11	伺服活塞	SERVO PISTON	1



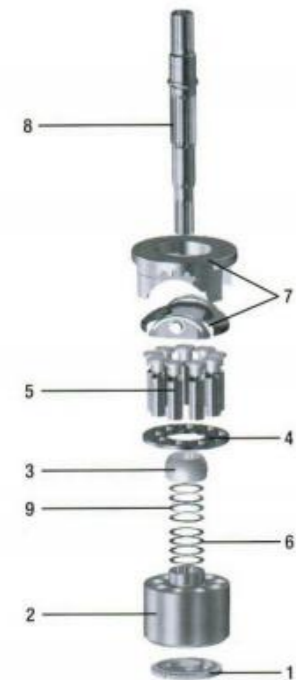
Kawasaki Excavator Pump Series



K7V63 K3V112DP (SH135/140/235)

NO.	Product Name	QTY	NOTE
1	配流盘(左/右)	VALVE PLATE(L/R)	1
2	泵胆	CYLINDER BLOCK	1
3	球铰	BALL GUIDE	1
4	回程盘	SET PLATE	1
5	柱塞	PISTON	9
6	止推板	SHOE PLATE	1
7	摇摆总成	YOKE ASS'Y	1
8	驱动轴(左/右)	DRIVE SHAFT(L/R)	1

Kawasaki Pump Series



NV64/84/90/111/137/172/270

NO.	Product Name	QTY	NOTE
1	配流盘(左/右)	VALVE PLATE(L/R)	1
2	泵胆	CYLINDER BLOCK	1
3	球铰	BALL GUIDE	1
4	回程盘	SET PLATE	1
5	柱塞	PISTON	9
6	蝶形弹簧	DISK SPRING	4
7	摇摆总成	YOKE ASS'Y	1
8	驱动轴(左/右)	DRIVE SHAFT(L/R)	1
9	垫片	SPACER	4

Kawasaki Excavator Pump Series



NVK45 (SK07/HD250 K4V45C压路机)

NO.	Product Name	QTY	NOTE
1	配流盘(左/右)	VALVE PLATE(L/R)	1
2	泵胆	CYLINDER BLOCK	1
3	球铰	BALL GUIDE	1
4	回程盘	SET PLATE	1
5	柱塞	PISTON	9
6	止推板	SHOE PLATE	1
7	顶针	PIN	3
8	驱动轴	DRIVE SHAFT	1

Uchida Excavator Pump Series

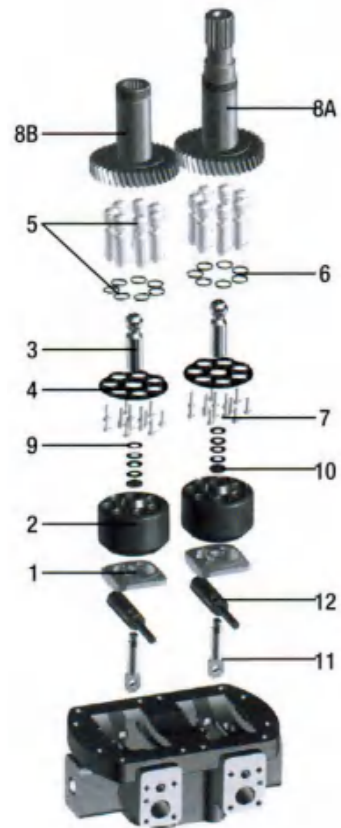


AP2D12/14/18/18 NEW/21/25/36

NO.	Product Name	QTY	NOTE
1	配流盘	VALVE PLATE	1
2	泵胆	CYLINDER BLOCK	1
3	球铰	BALL GUIDE	1
4	回程盘	SET PLATE	1
5	柱塞	PISTON	10
6	止推板	SHOE PLATE	1
7	千秋架	SWASH PLATE	1
8	驱动轴	DRIVE SHAFT	1
9	顶针	PIN	3
10	摇摆小柱塞	PISTON OF CAM ROCKER	1
11	摇摆销	PIN OF CAM ROCKER	1

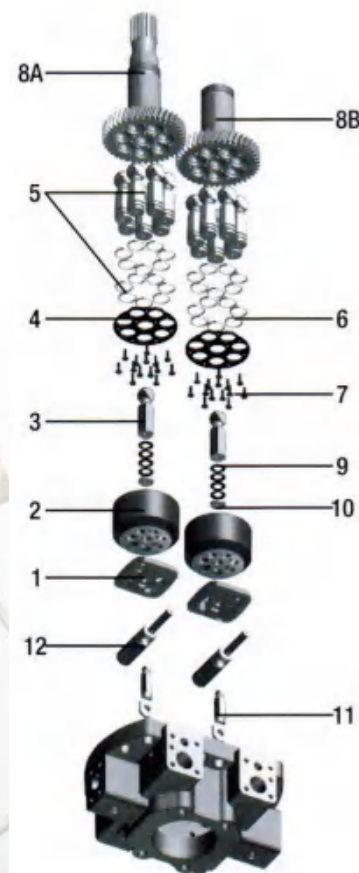
Uchida Excavator Pump Series

A8V55/59/80/86/107/115/172



NO.	Product Name	QTY	NOTE
1	配流盘(左/右)	VALVE PLATE(L/R)	2
2	泵胆	CYLINDER BLOCK	2
3	中心轴	CENTER PIN	2
4	回程盘	SET PLATE	2
5	柱塞	PISTON	14
6	柱塞环	RING OF PISTON	14
7	螺钉	SOCKET BOLT	28
8A		DRIVE SHAFT(R)	1
8B	驱动轴(左)	DRIVE SHAFT(L)	1
9	蝶形弹簧	DISK SPRING	8
10	弹簧座	DISK SPRING HOLDER	2
11	平面中心销	SERVO PISTON PIN	2
12	伺服活塞	SERVO PISTON	2

Uchida Pump Series



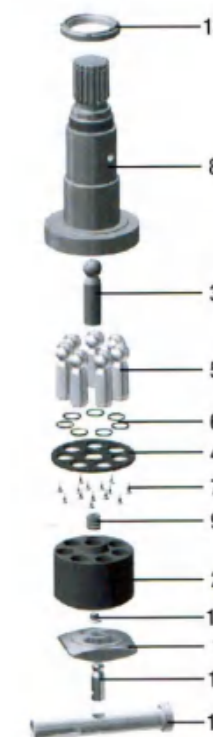
A8V055/80/107/160/172/200

NO.	Product Name	QTY	NOTE
1	配流盘(左/右)	VALVE PLATE(L/R)	2
2	泵胆	CYLINDER BLOCK	2
3	中心轴	CENTER PIN	2
4	回程盘	SET PLATE	2
5	柱塞	PISTON	14
6	柱塞环	RING OF PISTON	28
7	螺钉	SOCKET BOLT	28
8A	驱动轴(右)	DRIVE SHAFT(R)	1
8B	驱动轴(左)	DRIVE SHAFT(L)	1
9	蝶形弹簧	DISK SPRING	8
10	弹簧座	DISK SPRING HOLDER	2
11	平面中心销	SERVO PISTON PIN	2
12	伺服活塞	SERVO PISTON	2

Uchida Excavator Pump Series

A6VM0/A7V0-55/80/107/125/160/250/355/500/1000

NO.	Product Name	QTY	NOTE
1	配流盘	VALVE PLATE	1
2	泵胆	CYLINDER BLOCK	1
3	中心轴	CENTER PIN	1
4	回程盘	SET PLATE	1
5	柱塞	PISTON	7
6	柱塞环	RING OF PISTON	7
7	螺钉	SOCKET BOLT	14
8	驱动轴	DRIVE SHAFT	1
9	蝶形弹簧	DISK SPRING	8
10	弹簧座	DISK SPRING HOLDER	2
11	平面中心销	SERVO PISTON PIN	2
12	伺服活塞	SERVO PISTON	2
13	弹簧座	DISK SPRING HOLDER	2



Uchida Excavator Pump Series

A10V17/21/28/40/43/71

NO.	Product Name	QTY	NOTE
1	配流盘(左/右)	VALVE PLATE(L/R)	1
2	泵胆	CYLINDER BLOCK	1
3	球铰	BALL GUIDE	1
4	回程盘	SET PLATE	1
5	柱塞	PISTON	9
6	止推板	SHOE PLATE	1
7	千秋架	SWASH PLATE	1
8	驱动轴	DRIVE SHAFT	1
9	顶针	PIN	3



Uchida Excavator Pump Series

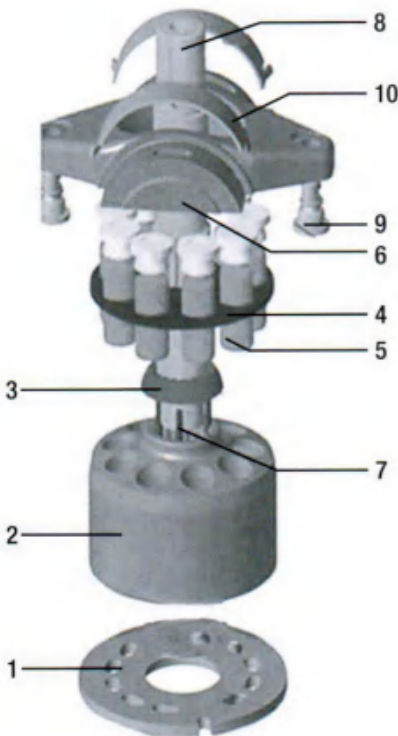


LVP75D

(福田85)

NO.	Product Name	QTY	NOTE
1	配流盘(左/右/马)	VALVE PLATE(L/R/M)1	
2	泵胆	CYLINDER BLOCK 1	
3	球铰	BALL GUIDE 1	
4	回程盘	SET PLATE 1	
5	柱塞	PISTON 9	
6	摇摆	CAM ROCKER 1	
7	顶针	PIN 3	
8	驱动轴	DRIVE SHAFT 1	
9	轴瓦	SLIDING BEARING 2	

Uchida Pump Series



A10VS(M)028/45/63/71

NO.	Product Name	QTY	NOTE
1	配流盘(左/右/马)	VALVE PLATE(L/R/M)1	
2	泵胆	CYLINDER BLOCK 1	
3	球铰	BALL GUIDE 1	
4	回程盘	SET PLATE 1	
5	柱塞	PISTON 9	
6	摇摆	CAM ROCKER 1	
7	顶针	PIN 3	
8	驱动轴	DRIVE SHAFT 1	
9	摇摆柱塞	YOKE PISTON 2	
10	轴瓦	SLIDING BEARING 2	

Komatsu Excavator Swing Series

PC30/40/45/50/60-7HM

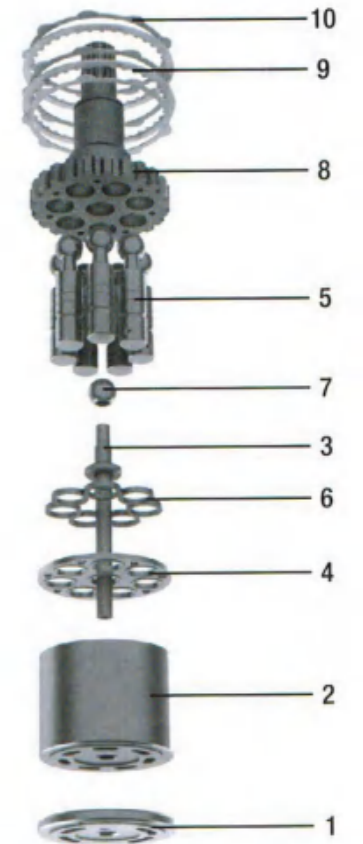
NO.	Product Name	QTY	NOTE
1	配流盘(左/右)	VALVE PLATE(L/R) 1	
2A	泵胆(带齿)	CYLINDER BLOCK (With Teeth) 1	
2B	泵胆(无齿)	CYLINDER BLOCK (No Teeth) 1	
3	球铰	BALL GUIDE 1	
4	回程盘	SET PLATE 1	
5	柱塞	PISTON 7	
6A	止推板	SHOE PLATE 1	全铜
6B	止推板	SHOE PLATE 1	全铁
7	顶针	PIN 3	
8	驱动轴	DRIVE SHAFT 1	
9	摩擦片	FRICITION PLATE 2	
10	分离片	SEPARATION PLATE 3	



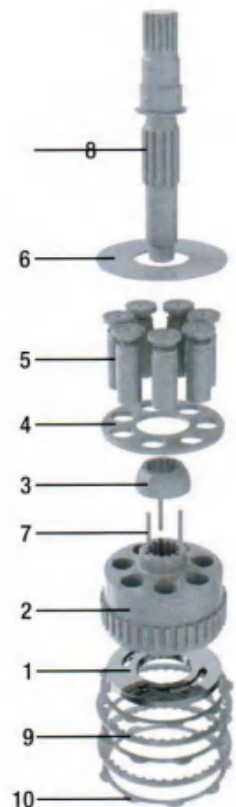
Komatsu Excavator Swing Series

PC60/120-3/5/6HM PC200-6HM PC300/400-3HM

NO.	Product Name	QTY	NOTE
1	配流盘	VALVE PLATE 1	
2	泵胆	CYLINDER BLOCK 1	
3	中心轴	CENTER PIN 1	
4	回程盘	SET PLATE 1	
5	柱塞	PISTON 7	
6	球面垫圈	SPHERICAL WASHER 7	
7	中心轴帽	CENTER HOLDER 1	
8	驱动轴	DRIVE SHAFT 1	
9	摩擦片	FRICITION PLATE 2	
10	分离片	SEPARATION PLATE 3	



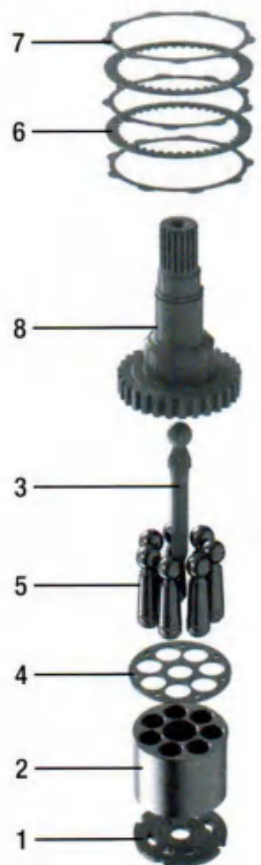
Komatsu Excavator Swing Series



PC78USHM

NO.	Product Name		QTY	NOTE
1	配流盘	VALVE PLATE	1	
2	泵胆	CYLINDER BLOCK	1	
3	球铰	BALL GUIDE	1	
4	回程盘	SET PLATE	1	
5	反包柱塞	PISTON	7	
6	止推板	SHOE PLATE	1	
7	顶针	PIN	3	
8	驱动轴	DRIVE SHAFT	1	
9	摩擦片	FRICITION PLATE	3	
10	分离片	SEPARATION PLATE	3	

Komatsu Excavator Swing Series



PC200-7/8HM PC360-7HM

NO.	Product Name		QTY	NOTE
1	配流盘	VALVE PLATE	1	
2	泵胆	CYLINDER BLOCK	1	
3	中心轴	CENTER PIN	1	
4	回程盘	SET PLATE	1	
5	凌圈柱塞	PISTON	7	
6	摩擦片	FRICITION PLATE	2	
7	分离片	SEPARATION PLATE	3	
8	驱动轴	DRIVE SHAFT	1	

Hitachi Excavator Swing Series



EX60-1HM E70BHM

NO.	Product Name		QTY	NOTE
1	配流盘(左/右)	VALVE PLATE(L/R)	1	
2	泵胆	CYLINDER BLOCK	1	
3	球铰	BALL GUIDE	1	
4	回程盘	SET PLATE	1	
5	反包柱塞	PISTON	9	
6	止推板	SHOE PLATE	1	
7	蝶形弹簧	DISK SPRING	4	
8	摩擦片	FRICITION PLATE	3	
9	分离片	SEPARATION PLATE	3	

Hitachi Excavator Swing Series



AP5S53/67 (EX100/120-2/3/5)

NO.	Product Name		QTY	NOTE
1	配流盘	VALVE PLATE	1	
2	泵胆	CYLINDER BLOCK	1	
3	球铰	BALL GUIDE	1	
4	回程盘	SET PLATE	1	
5	柱塞	PISTON	9	
6	止推板	SHOE PLATE	1	
7	波浪蝶形弹簧	DISK SPRING	4	
8	驱动轴	DRIVE SHAFT	1	
9	摩擦片	FRICITION PLATE	2	
10	分离片	SEPARATION PLATE	3	

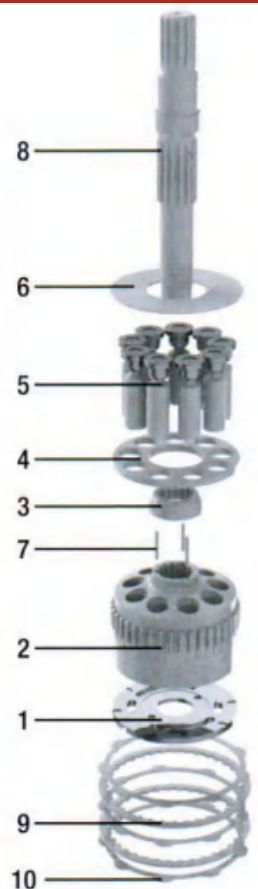
Hitachi Excavator Swing Series



ZAX120HM

NO.	Product Name	QTY	NOTE
1	配流盘 VALVE PLATE	1	
2	泵胆 CYLINDER BLOCK	1	
3	球铰 BALL GUIDE	1	
4	回程盘 SET PLATE	1	
5	反包柱塞 PISTON	9	
6	止推板 SHOE PLATE	1	
7	波浪蝶形弹簧 DISK SPRING	4	
8	摩擦片 FRICTION PLATE	2	
9	分离片 SEPARATION PLATE 3		

Hitachi Excavator Swing Series



A10SF28 (SH60-3HM)

NO.	Product Name	QTY	NOTE
1	配流盘 VALVE PLATE	1	
2	泵胆 CYLINDER BLOCK	1	
3	球铰 BALL GUIDE	1	
4	回程盘 SET PLATE	1	
5	柱塞 PISTON	9	
6	止推板 SHOE PLATE	1	
7	顶针 PIN	3	
8	驱动轴 DRIVE SHAFT	1	
9	摩擦片 FRICTION PLATE	2	
10	分离片 SEPARATION PLATE 3		

Nachi Swing Motor Series

YC35-6HM

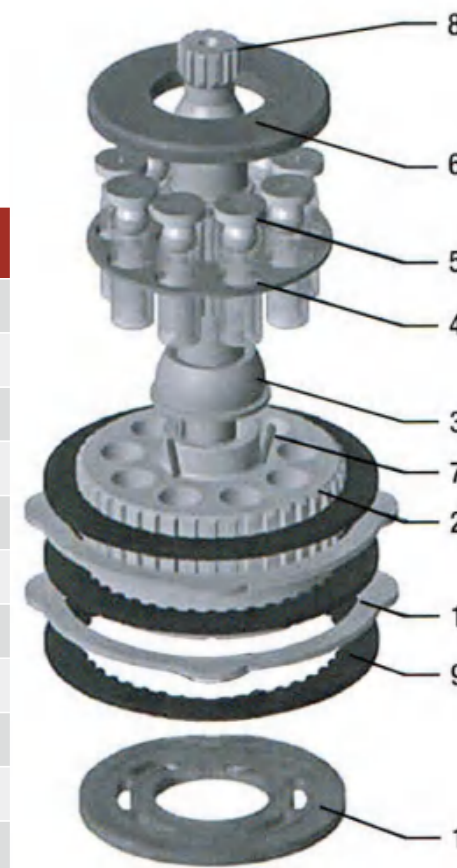
NO.	Product Name	QTY	NOTE
1	配流盘 VALVE PLATE	1	
2	泵胆 CYLINDER BLOCK	1	
3	球铰 BALL GUIDE	1	
4	回程盘 SET PLATE	1	
5	柱塞 PISTON	9	
6	斜盘 SWASH PLATE	1	
7	顶针 PIN	3	
8	驱动轴 DRIVE SHAFT	1	
9	摩擦片 FRICTION PLATE	2	
10	分离片 SEPARATION PLATE 3		



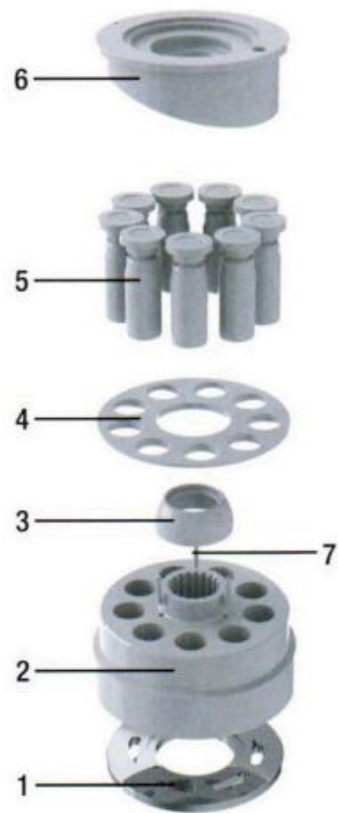
Kayaba Swing Motor Series

MSG-27P-18E MSG-44P-21-14

NO.	Product Name	QTY	NOTE
1	配流盘 VALVE PLATE	1	
2	泵胆 CYLINDER BLOCK	1	
3	球铰 BALL GUIDE	1	
4	回程盘 SET PLATE	1	
5	反包柱塞 PISTON	9	
6	止推板 SHOE PLATE	1	
7	顶针 PIN	3	
8	驱动轴 DRIVE SHAFT	1	
9	摩擦片 FRICTION PLATE	2	
10	分离片 SEPARATION PLATE 3		



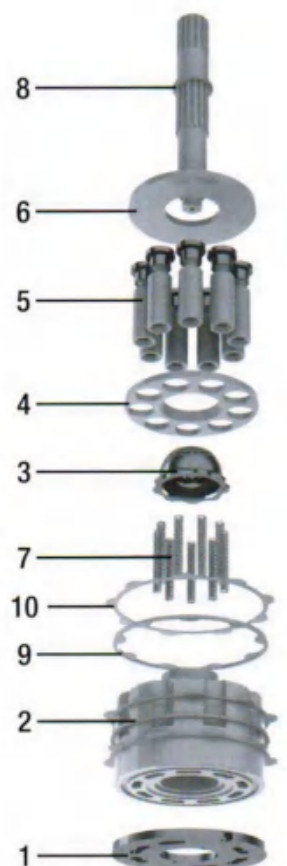
Kubota Excavator Swing Motor Series



Kubota U35HM

NO.	Product Name	QTY	NOTE
1	配流盘 VALVE PLATE	1	
2	泵胆 CYLINDER BLOCK	1	
3	球铰 BALL GUIDE	1	
4	回程盘 SET PLATE	1	
5	反包柱塞 PISTON	9	
6	斜盘 SWASH PLATE	1	
7	顶针 PIN	3	

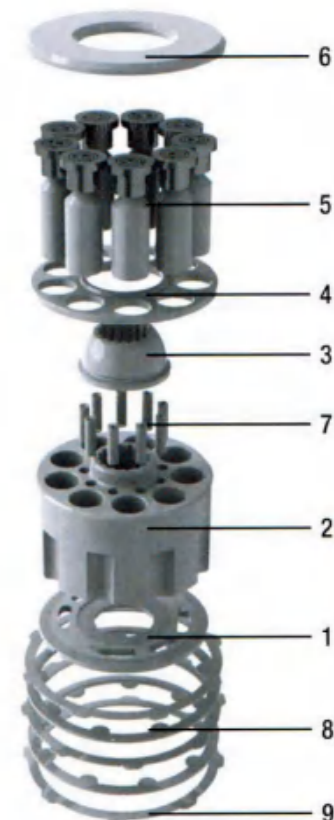
Daewoo Excavator Swing Motor Series



JM29/43/64/151

NO.	Product Name	QTY	NOTE
1	配流盘 VALVE PLATE	1	
2	泵胆 CYLINDER BLOCK	1	
3	球铰 BALL GUIDE	1	
4	回程盘 SET PLATE	1	
5	柱塞 PISTON	9	
6	止推板 SHOE PLATE	1	
7	弹簧 COIL SPRING	9	
8	驱动轴 DRIVE SHAFT	1	
9	摩擦片 FRICTION PLATE	2	
10	分离片 SEPARATION PLATE 3		

Daewoo Swing Motor Series



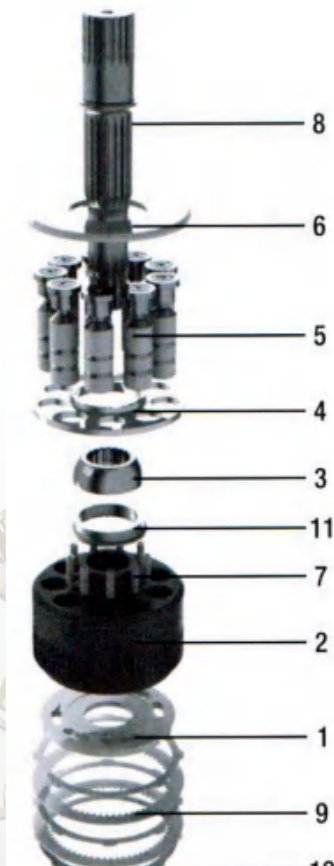
DH300-7HM

NO.	Product Name	QTY	NOTE
1	配流盘 VALVE PLATE	1	
2	泵胆 CYLINDER BLOCK	1	
3	球铰 BALL GUIDE	1	
4	回程盘 SET PLATE	1	
5	柱塞 PISTON	9	
6	止推板 SHOE PLATE	1	
7	弹簧 COIL SPRING	9	
8	摩擦片 FRICTION PLATE	2	
9	分离片 SEPARATION PLATE 3		

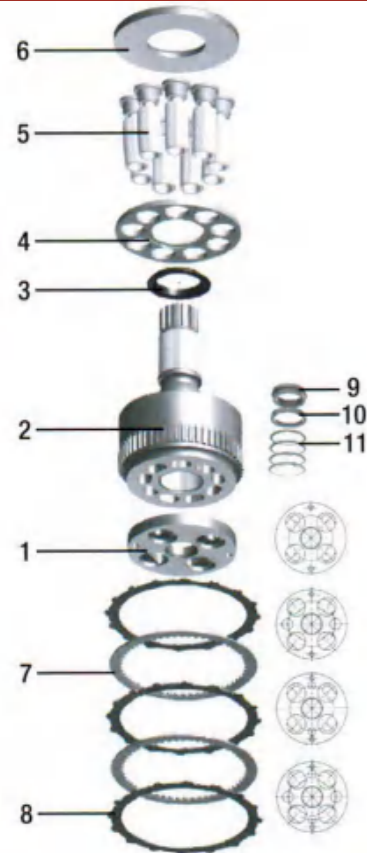
Daewoo Swing Motor Series

DH370-7HM

NO.	Product Name	QTY	NOTE
1	配流盘 VALVE PLATE	1	
2	泵胆 CYLINDER BLOCK	1	
3	球铰 BALL GUIDE	1	
4	回程盘 SET PLATE	1	
5	柱塞 PISTON	9	
6	止推板 SHOE PLATE	1	
7	弹簧 COIL SPRING	9	
8	驱动轴 DRIVE SHAFT	1	
9	摩擦片 FRICTION PLATE	2	
10	分离片 SEPARATION PLATE 3		
11	球铰垫圈 SPACE OF BALL GUIDE	1	



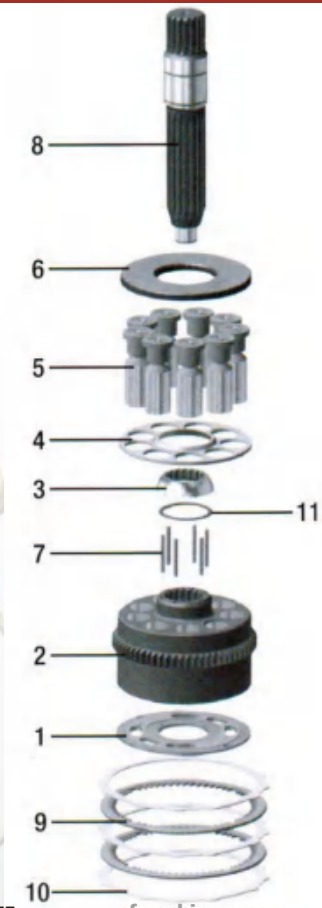
Toshiba Swing Motor Series



SG02/010/025/04/08/12/15/20

NO.	Product Name	QTY	NOTE
1	配流盘 VALVE PLATE	1	
2	泵胆 CYLINDER BLOCK	1	
3	介子 SET PLATE SPRING	1	
4	回程盘 SET PLATE	1	
5	柱塞 PISTON	9	
6	止推板 SHOE PLATE	1	
7	摩擦片 FRICTION PLATE	2	
8	分离片 SEPARATION PLATE	3	
9	铁圈 HOOPS	4	
10	胶圈 APRONS	4	
11	蝶形弹簧 DISK SPRING	4	

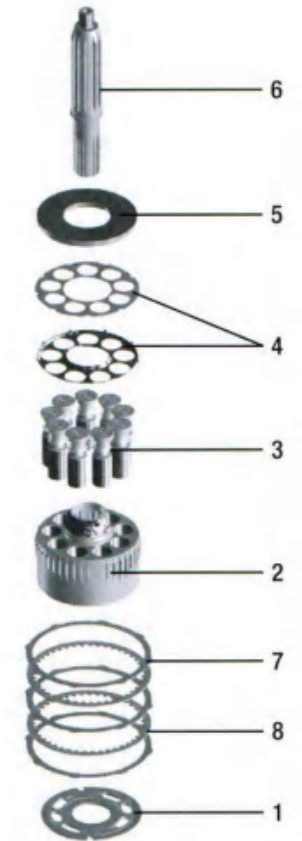
Kawasaki Swing Motor Series



M2X63/96/120/146/150/170/210

NO.	Product Name	QTY	NOTE
1	配流盘 VALVE PLATE	1	
2	泵胆 CYLINDER BLOCK	1	
3	球铰 BALL GUIDE	1	
4	回程盘 SET PLATE	1	
5	柱塞 PISTON	9	
6	止推板 SHOE PLATE	1	
7	顶针 PIN	12	
8	驱动轴 DRIVE SHAFT	1	
9	摩擦片 FRICTION PLATE	2	
10	分离片 SEPARATION PLATE	3	
11	垫片 SPACE	1	

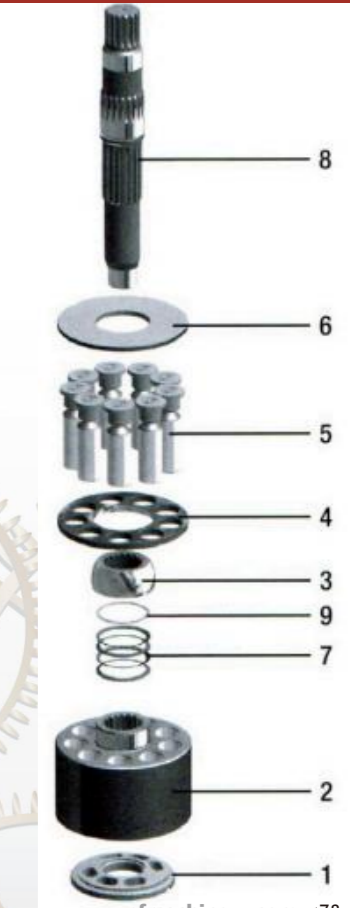
Kawasaki Swing Motor Series



M5X130/180

NO.	Product Name	QTY	NOTE
1	配流盘 VALVE PLATE	1	
2	泵胆 CYLINDER BLOCK	1	
3	柱塞 PISTON	9	
4	回程盘 SET PLATE	1	
5	止推板 SHOE PLATE	1	
6	驱动轴 DRIVE SHAFT	1	
7	分离片 SEPARATION PLATE	4	
8	摩擦片 FRICTION PLATE	3	

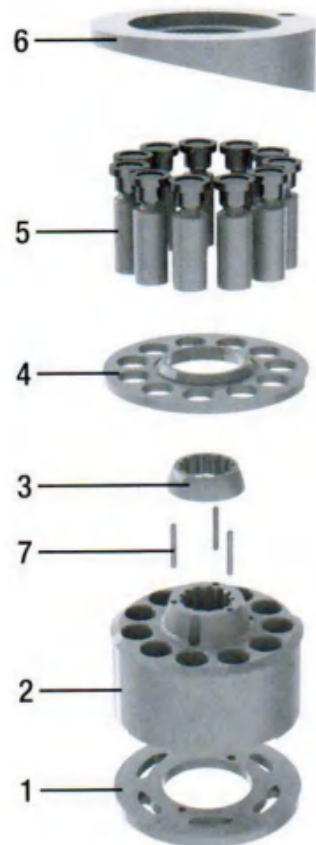
Kawasaki Swing Motor Series



MX150/173/500

NO.	Product Name	QTY	NOTE
1	配流盘 VALVE PLATE	1	
2	泵胆 CYLINDER BLOCK	1	
3	球铰 BALL GUIDE	1	
4	回程盘 SET PLATE	1	
5	柱塞 PISTON	9	
6	止推板 SHOE PLATE	1	
7	蝶形弹簧 DISK SPRING	4	
8	驱动轴 DRIVE SHAFT	1	
9	垫片 SPACER	1	

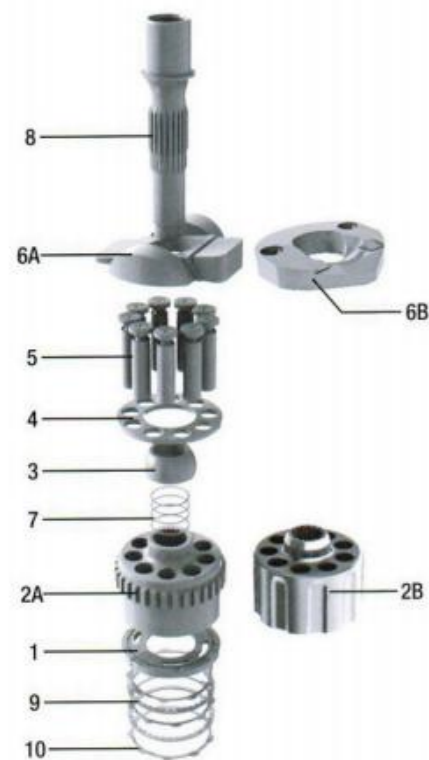
Komatsu Excavator Travelling Series



PC40XM

NO.	Product Name	QTY	NOTE
1	配流盘 VALVE PLATE	1	
2	泵胆 CYLINDER BLOCK	1	
3	球铰 BALL GUIDE	1	
4	回程盘 SET PLATE	1	
5	柱塞 PISTON	11	
6	斜盘 SWASH PLATE	1	
7	顶针 PIN	3	

Komatsu Excavator Travelling Series



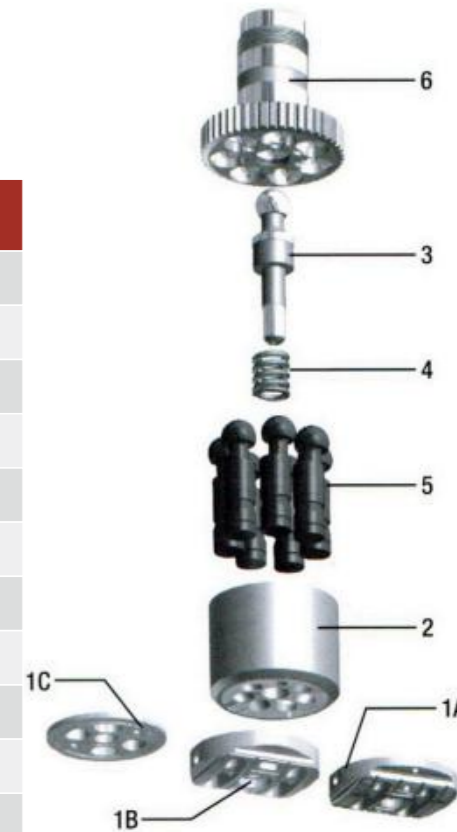
PC100/200-5XM PC200/220-6/7XM

NO.	Product Name	QTY	NOTE
1	配流盘 VALVE PLATE	1	
2	泵胆 CYLINDER BLOCK	1	
3	球铰 BALL GUIDE	1	
4	回程盘 SET PLATE	1	
5	柱塞 PISTON	9	
6	摇摆 SWASH PLATE	1	
7	蝶形弹簧 DISK PLATE	4	
8	驱动轴 DRIVE SHAFT	1	
9	摩擦片 FRICTION PLATE	2	
10	分离片 SEPARATION PLATE	3	

Hitachi Excavator Travelling Series

HMGC16A/32/35/48/57 HMGF36

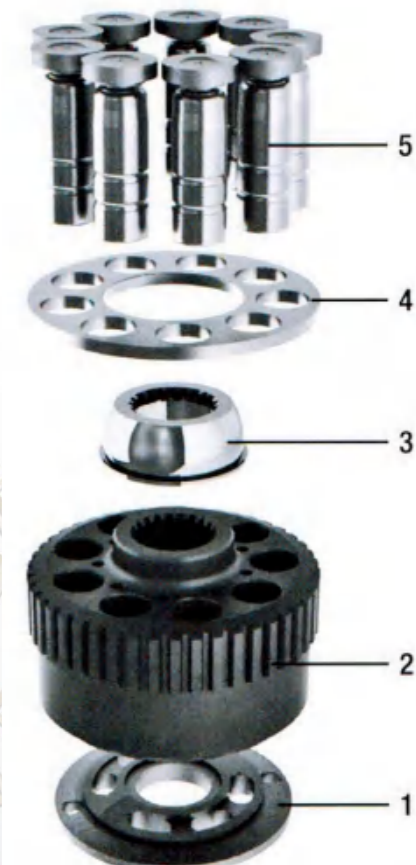
NO.	Product Name	QTY	NOTE
1A	(HMV) VALVE PLATE (HMV) 1		
1B	(HMGC) VALVE PLATE (HMGC) 1		
1C	(HMGF) VALVE PLATE (HMGF) 1		
2	泵胆 CYLINDER BLOCK	1	
3	中心轴 CENTER PIN	1	
4	泵胆弹簧 COIL SPRING	1	
5	连杆柱塞 PISTON	7	
6	驱动轴 DRIVE SHAFT	1	



Hitachi Excavator Travelling Series

HMGF17AA/18

NO.	Product Name	QTY	NOTE
1	配流盘 VALVE PLATE	1	
2	泵胆 CYLINDER BLOCK	1	
3	球铰 BALL GUIDE	1	
4	回程盘 SET PLATE	1	
5	反包柱塞 PISTON	9	



Hitachi Excavator Travelling Series



HMGE36EA HMGF40EA HMT36E

NO.	Product Name	QTY	NOTE
1	配流盘 VALVE PLATE	1	
2	泵胆 CYLINDER BLOCK	1	
3	球铰 BALL GUIDE	1	
4	回程盘 SET PLATE	1	
5	柱塞 PISTON	9	
6	斜盘 SWASH PLATE	1	
7	斜盘座 TILTING PLATE	1	
8	驱动轴 DRIVE SHAFT	1	
9	弹簧 COIL SPRING	9	
10	球 BALL OF SWASH PLATE	2	
11	斜盘柱塞 PISTON OF SWASH PLATE	2	

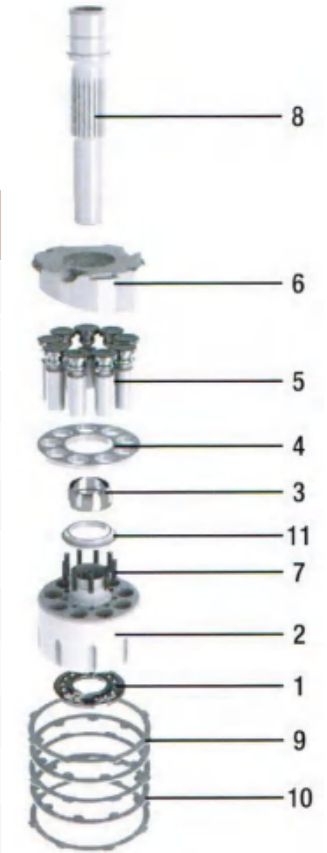
Hitachi Excavator Travelling Series



HMGC68EA

NO.	Product Name	QTY	NOTE
1	配流盘 VALVE PLATE	1	
2	泵胆 CYLINDER BLOCK	1	
3	球铰 BALL GUIDE	1	
4	回程盘 SET PLATE	1	
5	反包柱塞 PISTON	9	
6	斜盘 SWASH PLATE	1	
7	弹簧 DISK PLATE	9	
8	驱动轴 DRIVE SHAFT	1	
9	分离片 SEPARATION PLATE	3	
10	摩擦片 FRICTION PLATE	2	

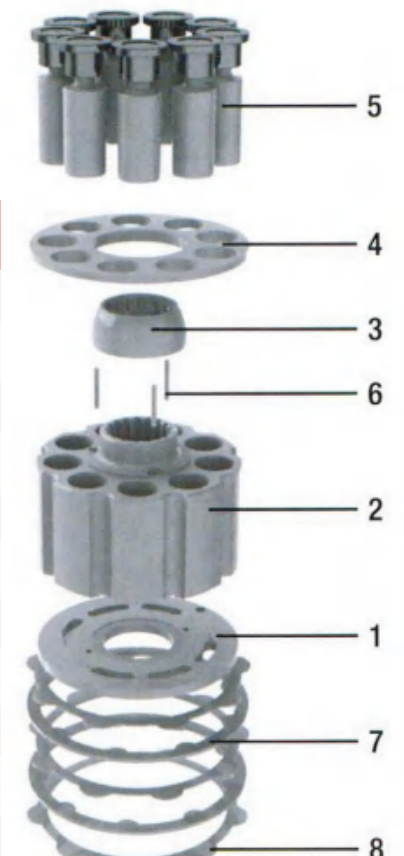
Caterpillar Excavator Travelling Series



E120/120B/320/330XM

NO.	Product Name	QTY	NOTE
1A	配流盘 VALVE PLATE	1	
2	泵胆 CYLINDER BLOCK	1	
3	球铰 BALL GUIDE	1	
4	回程盘 SET PLATE	1	
5	柱塞 PISTON	9	
6	斜盘 SWASH PLATE	1	
7	弹簧 COIL SPRING	9	
8	驱动轴 DRIVE SHAFT	1	
9	分离片 SEPARATION PLATE	3	
10	摩擦片 FRICTION PLATE	2	
11	球铰垫圈 BARREL WASHER	1	

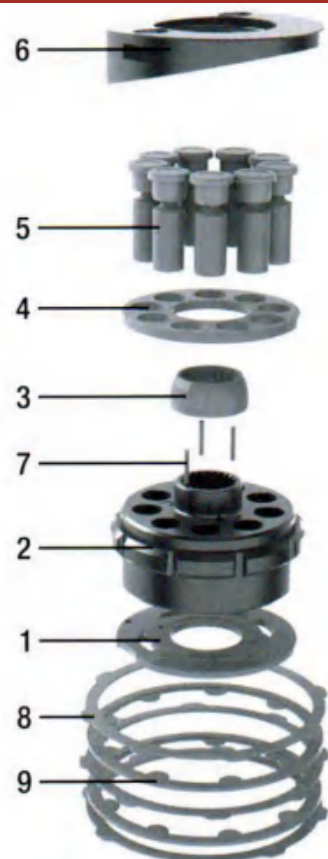
Caterpillar Excavator Travelling Series



E307XM

NO.	Product Name	QTY	NOTE
1	配流盘 VALVE PLATE	1	
2	泵胆 CYLINDER BLOCK	1	
3	球铰 BALL GUIDE	1	
4	回程盘 SET PLATE	1	
5	柱塞 PISTON	9	
6	顶针 PIN	3	
7	摩擦片 FRICTION PLATE	2	
8	分离片 SEPARATION PLATE	3	

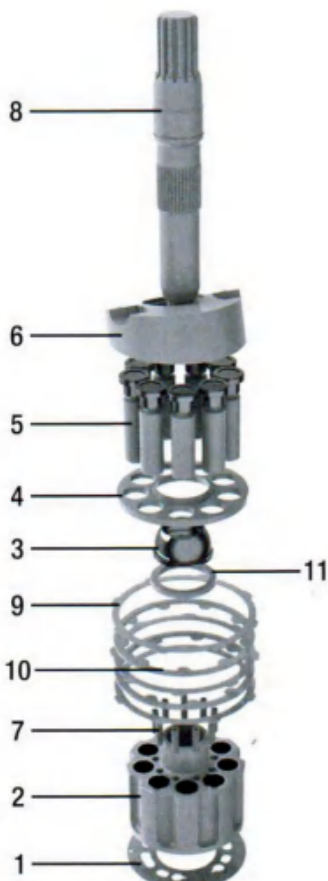
Caterpillar Excavator Travelling Series



E312/312C/325XM

NO.	Product Name	QTY	NOTE
1	配流盘 VALVE PLATE	1	
2	泵胆 CYLINDER BLOCK	1	
3	球铰 BALL GUIDE	1	
4	回程盘 SET PLATE	1	
5	柱塞 PISTON	9	
6	斜盘 SWASH PLATE	1	
7	顶针 PIN	3	
8	分离片 SEPARATION PLAT	3	
9	摩擦片 FRICTION PLATE	2	

Caterpillar Excavator Travelling Series



E330CXM NEW

NO.	Product Name	QTY	NOTE
1	配流盘 VALVE PLATE	1	
2	泵胆 CYLINDER BLOCK	1	
3	球铰 BALL GUIDE	1	
4	回程盘 SET PLATE	1	
5	柱塞 PISTON	9	
6	斜盘 SWASH PLATE	1	
7	弹簧 DISK PLATE	9	
8	驱动轴 DRIVE SHAFT	1	
9	分离片 SEPARATION PLATE	3	
10	摩擦片 FRICTION PLATE	2	
11	球铰垫圈 BARREL WASHER	1	

Caterpillar Excavator Travelling Series

DNB50/60

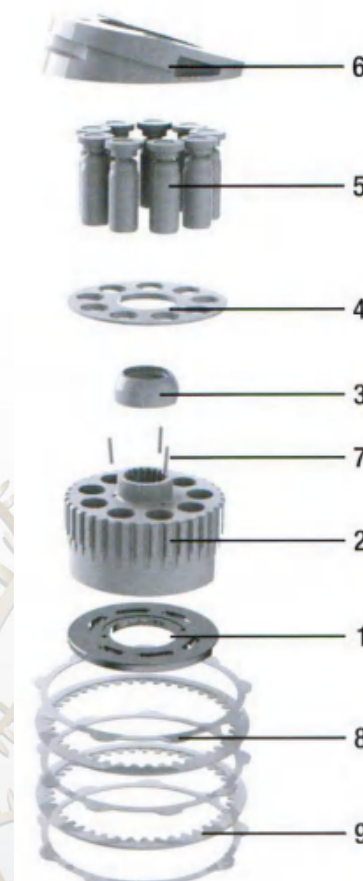
NO.	Product Name	QTY	NOTE
1A	配流盘 VALVE PLATE	1	
2	泵胆 CYLINDER BLOCK	1	
3	球铰 BALL GUIDE	1	
4	回程盘 SET PLATE	1	
5	柱塞 PISTON	9	
6	斜盘 SWASH PLATE	1	
7	摇摆座 SUPPORT	1	
8	驱动轴 DRIVE SHAFT	1	
9	分离片 SEPARATION PLATE	3	
10	摩擦片 FRICTION PLATE	2	
11	弹簧 COIL SPRING	9	



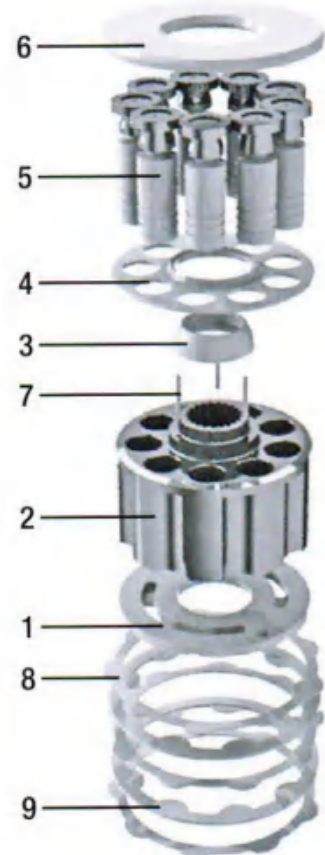
Kayaba Travelling Motor Series

MAG-33/53

NO.	Product Name	QTY	NOTE
1	配流盘 VALVE PLATE	1	
2	泵胆 CYLINDER BLOCK	1	
3	球铰 BALL GUIDE	1	
4	回程盘 SET PLATE	1	
5	柱塞 PISTON	9	
6	斜盘 SWASH PLATE	1	
7	顶针 PIN	3	
8	分离片 SEPARATION PLATE	3	
9	摩擦片 FRICTION PLATE	2	



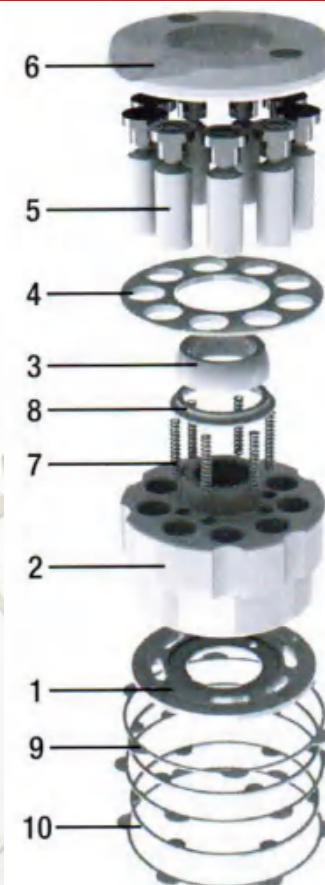
Kayaba Travelling Series



JMV-22/44

NO.	Product Name	QTY	NOTE
1	配流盘 VALVE PLATE	1	
2	泵胆 CYLINDER BLOCK	1	
3	球铰 BALL GUIDE	1	
4	回程盘 SET PLATE	1	
5	柱塞 PISTON	9	
6	止推板 SHOE PLATE	1	
7	顶针 PIN	3	
8	分离片 SEPARATION PLAT	3	
9	摩擦片 FRICTION PLATE	2	

Kayaba Travelling Motor Series



JMV-31/34/53

NO.	Product Name	QTY	NOTE
1	配流盘 VALVE PLATE	1	
2	泵胆 CYLINDER BLOCK	1	
3	球铰 BALL GUIDE	1	
4	回程盘 SET PLATE	1	
5	柱塞 PISTON	9	
6	斜盘 SWASH PLATE	1	
7	弹簧 DISK PLATE	9	
8	球铰垫圈 BARREL WASHER	1	
9	分离片 SEPARATION PLATE	3	
10	摩擦片 FRICTION PLATE	2	

Kayaba Travelling Motor Series

JMV147

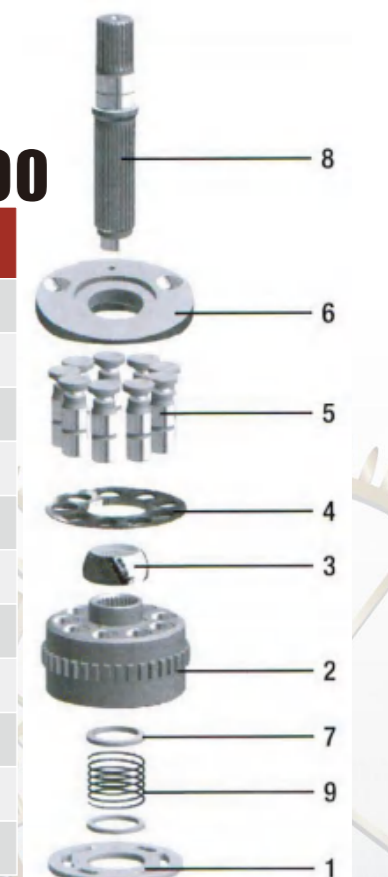
NO.	Product Name	QTY	NOTE
1A	配流盘 VALVE PLATE	1	
2	泵胆 CYLINDER BLOCK	1	
3	球铰 BALL GUIDE	1	
4	回程盘 SET PLATE	1	
5	柱塞 PISTON	9	
6	斜盘 SWASH PLATE	1	
7	球铰垫圈 BARREL WASHER	1	
8	顶针 PIN	3	
9	分离片 SEPARATION PLATE	3	
10	摩擦片 FRICTION PLATE	2	



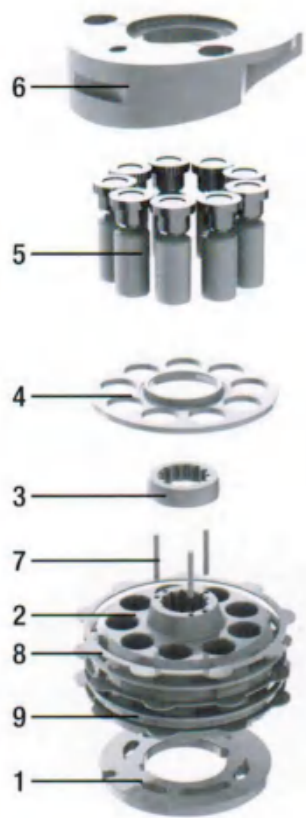
Kayaba Travelling Motor Series

MSF52/89/170 MAG85/150/170/200

NO.	Product Name	QTY	NOTE
1	配流盘 VALVE PLATE	1	
2	泵胆 CYLINDER BLOCK	1	
3	球铰 BALL GUIDE	1	
4	回程盘 SET PLATE	1	
5	反包柱塞 PISTON	9	
6	斜盘 SWASH PLATE	1	
7	垫片 SPACER	1	
8	驱动轴 DRIVE SHAFT	1	
9	泵胆弹簧 COIL SPRING	1	



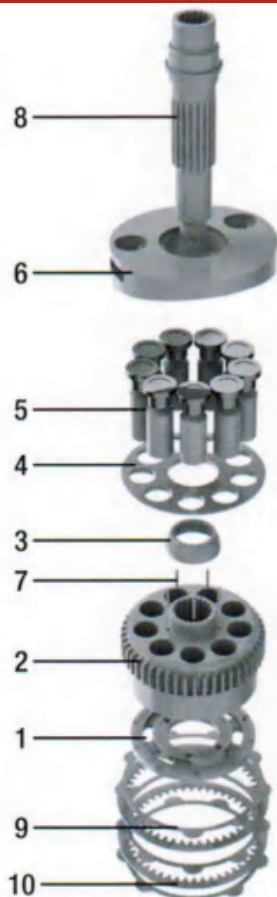
Nachi Travelling Series



YC35-6XM

NO.	Product Name		QTY	NOTE
1	配流盘	VALVE PLATE	1	
2	泵胆	CYLINDER BLOCK	1	
3	球铰	BALL GUIDE	1	
4	回程盘	SET PLATE	1	
5	柱塞	PISTON	9	
6	斜盘	SWASH PLATE	1	
7	顶针	PIN	3	
8	分离片	SEPARATION PLAT	3	
9	摩擦片	FRICITION PLATE	2	

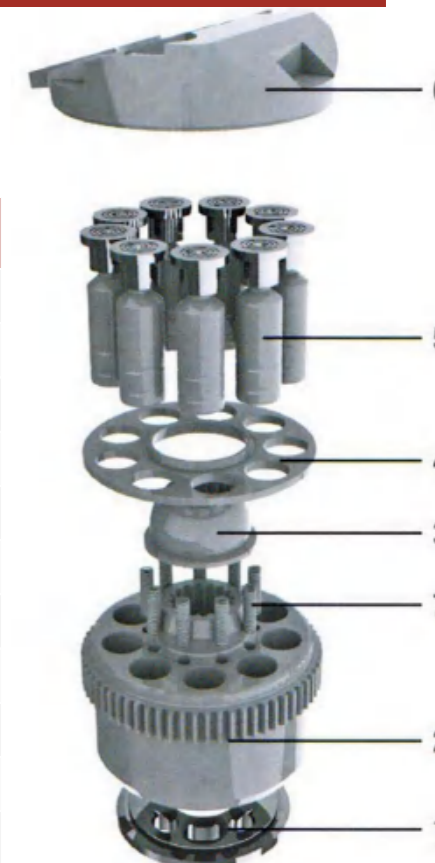
TM Travelling Motor Series



TM22

NO.	Product Name		QTY	NOTE
1	配流盘	VALVE PLATE	1	
2	泵胆	CYLINDER BLOCK	1	
3	球铰	BALL GUIDE	1	
4	回程盘	SET PLATE	1	
5	柱塞	PISTON	9	
6	斜盘	CAM ROCKER	1	
7	顶针	PIN	3	
8	驱动轴	DRIVE SHAFT	1	
9	分离片	SEPARATION PLATE	3	
10	摩擦片	FRICITION PLATE	2	

TM Travelling Motor Series



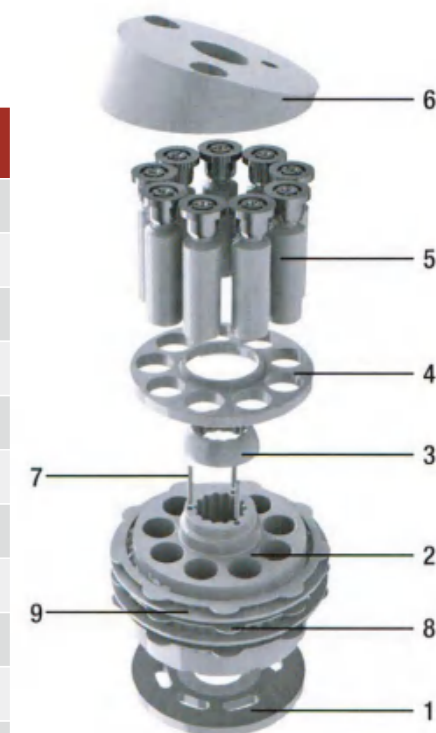
TM60VC

NO.	Product Name		QTY	NOTE
1	配流盘	VALVE PLATE	1	
2	泵胆	CYLINDER BLOCK	1	
3	球铰	BALL GUIDE	1	
4	回程盘	SET PLATE	1	
5	柱塞	PISTON	9	
6	斜盘	CAM ROCKER	1	
7	弹簧	COIL SPRING	9	

Foton Travelling Motor Series

Foton 60/85-7XM Lovol 50/60-7XM

NO.	Product Name		QTY	NOTE
1	配流盘	VALVE PLATE	1	
2	泵胆	CYLINDER BLOCK	1	
3	球铰	BALL GUIDE	1	
4	回程盘	SET PLATE	1	
5	柱塞	PISTON	9	
6	斜盘	CAM ROCKER	1	
7	顶针	PIN	3	
8	分离片	SEPARATION PLATE	3	
9	摩擦片	FRICITION PLATE	2	



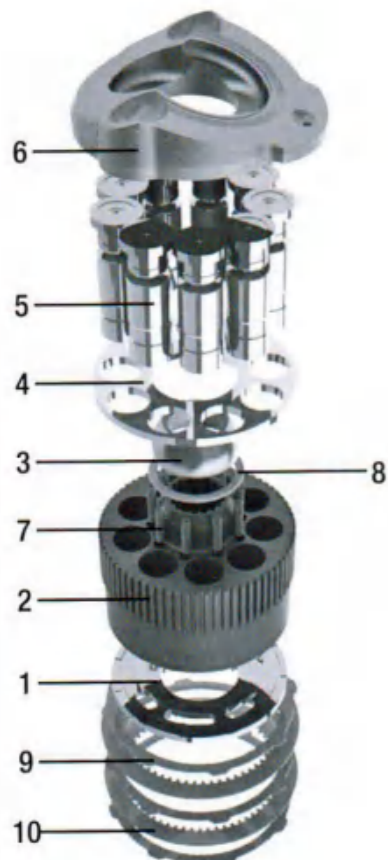
Kobelco Travelling Motor Series



SK200-1/2/3/5/6/6E/8XM

NO.	Product Name	QTY	NOTE
1	配流盘 VALVE PLATE	1	
2	泵胆 CYLINDER BLOCK	1	
3	球铰 BALL GUIDE	1	
4	回程盘 SET PLATE	1	
5	柱塞 PISTON	9	
6	斜盘 SWASH PLATE	1	
7	弹簧 COIL SPRING	9	
8	球铰垫圈 BARREL WASHER	1	
9	分离片 SEPARATION PLAT	3	
10	摩擦片 FRICTION PLATE	2	

Teijin Travelling Motor Series



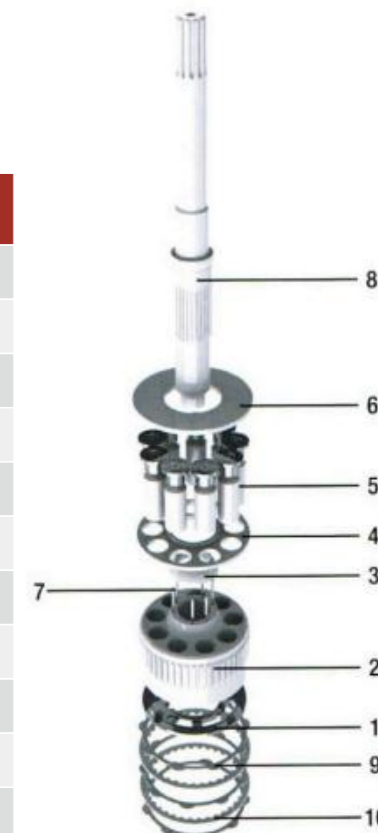
M3V270/290

NO.	Product Name	QTY	NOTE
1	配流盘 VALVE PLATE	1	
2	泵胆 CYLINDER BLOCK	1	
3	球铰 BALL GUIDE	1	
4	回程盘 SET PLATE	1	
5	柱塞 PISTON	9	
6	斜盘 SWASH PLATE	1	
7	弹簧 COIL SPRING	9	
8	球铰垫圈 BARREL WASHERT	1	
9	分离片 SEPARATION PLATE	3	
10	摩擦片 FRICTION PLATE	2	

Kawasaki Travelling Motor Series

DNB08

NO.	Product Name	QTY	NOTE
1A	配流盘 VALVE PLATE	1	
2	泵胆 CYLINDER BLOCK	1	
3	球铰 BALL GUIDE	1	
4	回程盘 SET PLATE	1	
5	柱塞 PISTON	9	
6	止推板 SHOE PLATE	1	
7	顶针 PIN	3	
8	驱动轴 DRIVE SHAFT	1	
9	分离片 SEPARATION PLATE	3	
10	摩擦片 FRICTION PLATE	2	



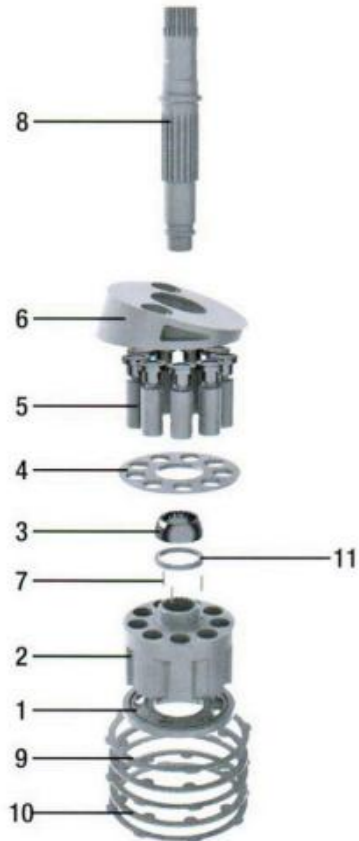
Kawasaki Travelling Motor Series

GM05VA/07VA/17/23/30H/35VA

NO.	Product Name	QTY	NOTE
1	配流盘 VALVE PLATE	1	
2	泵胆 CYLINDER BLOCK	1	
3	球铰 BALL GUIDE	1	
4	回程盘 SET PLATE	1	
5	柱塞 PISTON	9	
6	止推板 SHOE PLATE	1	
7	斜盘 CAM ROCKER	1	
8	驱动轴 SEPARATION PLATE	1	
9	顶针 PIN	3	
10	分离片 SEPARATION PLATE	3	
11	摩擦片 FRICTION PLATE	2	



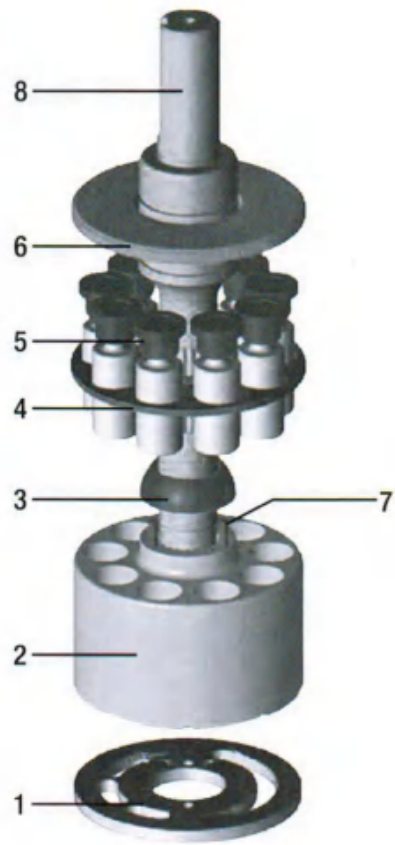
Kawasaki Travelling Motor Series



GM05VL/06/08/09/10/15/18/35VL

NO.	Product Name	QTY	NOTE
1	配流盘 VALVE PLATE	1	
2	泵胆 CYLINDER BLOCK	1	
3	球铰 BALL GUIDE	1	
4	回程盘 SET PLATE	1	
5	柱塞 PISTON	9	
6	斜盘 CAM ROCKER	1	
7	顶针 PIN	3	
8	驱动轴 DRIVE SHAFT	1	
9	分离片 SEPARATION PLATE	3	
10	摩擦片 FRICTION PLATE	2	
11	球铰垫圈 BARREL WASHER	1	

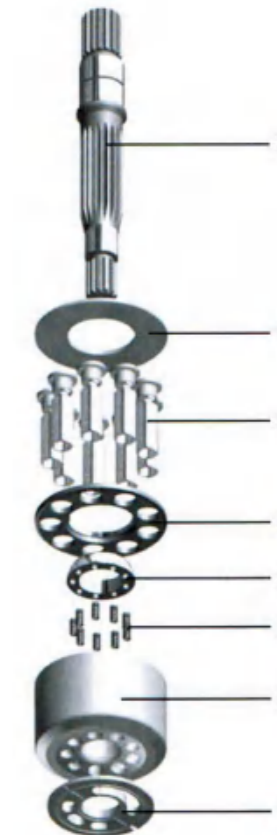
Teijin Travelling Motor Series



A37/45/56/70/90/125

NO.	Product Name	QTY	NOTE
1	配流盘(左/右) VALVE PLATE (L/R)	1	
2	泵胆 CYLINDER BLOCK	1	
3	球铰 BALL GUIDE	1	
4	回程盘 SET PLATE	1	
5	柱塞 PISTON	9	
6	止推板 SHOE PLATE	1	
7	顶针 PIN	3	
8	驱动轴 DRIVE SHAFT	1	

Liebherr Travelling Motor Series



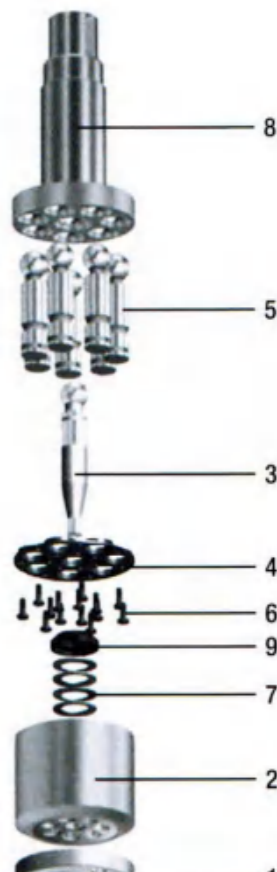
LPVD45/64/90/100/125/140/250

NO.	Product Name	QTY	NOTE
1	配流盘(左/右) VALVE PLATE (L/R)	1	
2	泵胆 CYLINDER BLOCK	1	
3	球铰 BALL GUIDE	1	
4	回程盘 SET PLATE	1	
5	柱塞 PISTON	9	
6	止推板 SHOE PLATE	1	
7	弹簧 COIL SPRING	9	
8	驱动轴 DRIVE SHAFT	1	

Axial Pump Series

A2F23/28/55/80/ 107/160/250/500/1000

NO.	Product Name	QTY	NOTE
1	配流盘 VALVE PLATE	1	
2	泵胆 CYLINDER BLOCK	1	
3	中心轴 CENTER PIN	1	
4	回程盘 RETAINER PLATE	1	
5	柱塞 PISTON	7	
6	固定螺钉 SOCKET BOLT	14	
7	蝶形弹簧 DISK SPRING	4	
8	驱动轴 DRIVE SHAFT	1	
9	弹簧座 DISK SPRING HOLDER	1	



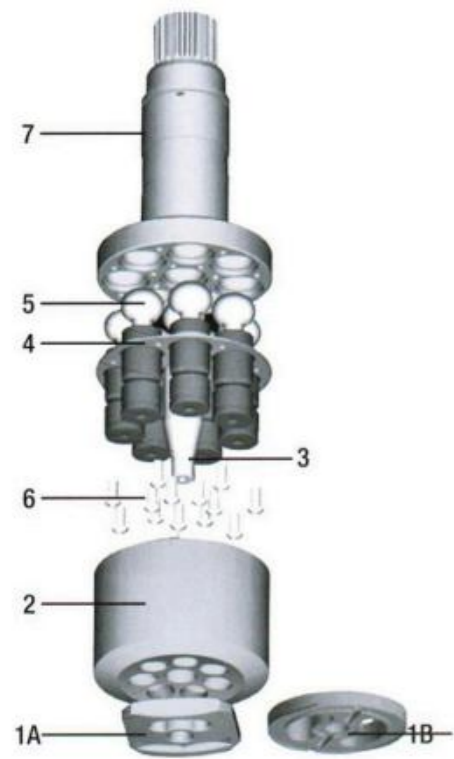
Axial Pump Series



A2F012/16/23/28/56/63/80/90/ 107/125/180/200/225/250/355/500

NO.	Product Name	QTY	NOTE
1	配流盘 VALVE PLATE	1	
2	泵胆 CYLINDER BLOCK	1	
3	中心轴 CENTER PIN	1	
4	回程盘 SET PLATE	1	
5	柱塞 PISTON	7	
6	柱塞环 RING OF PISTON	14	
7	固定螺钉 SOCKET BOLT	14	
8	驱动轴 DRIVE SHAFT	1	

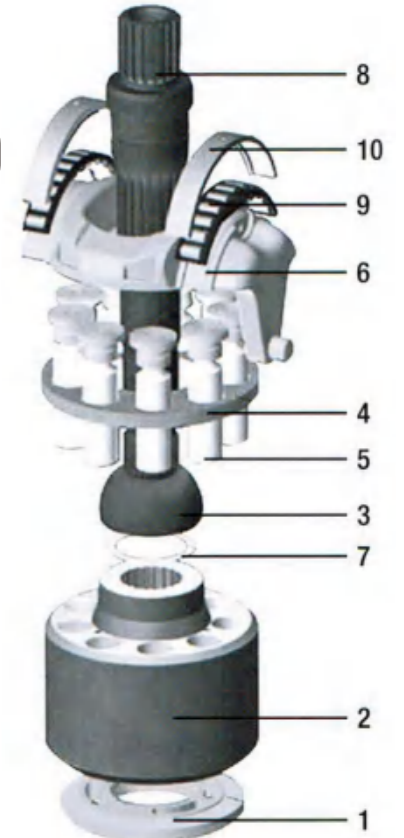
Axial Pump Series



A3V/A6V/A7V-55/80/107/ 125/160/355/500/100

NO.	Product Name	QTY	NOTE
1	配流盘(方/圆) VALVE PLATE(S/R)	1	
2	泵胆 CYLINDER BLOCK	1	
3	中心轴 CENTER PIN	1	
4	回程盘 RETAINER PLATE	1	
5	柱塞 PISTON	7	
6	固定螺钉 SOCKET BOLT	14	
7	驱动轴 DRIVE SHAFT	1	

Rexroth Series



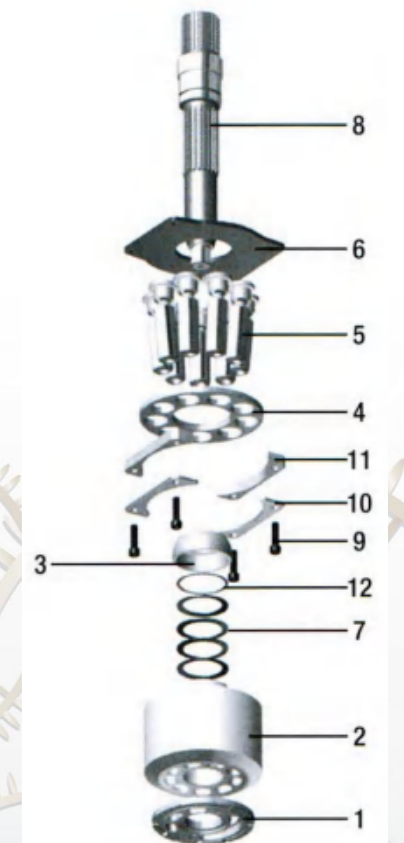
A4VTG56/71/90 A4VG28/ 40/45/56/71/90/125/140/180/250

NO.	Product Name	QTY	NOTE
1	配流盘(左/右) VALVE PLATE(L/R)	1	
2	泵胆 CYLINDER BLOCK	1	
3	球铰 BALL GUIDE	1	
4	回程盘 RETAINER PLATE	1	
5	柱塞 PISTON SHOE	9	
6	摇摆 CAM ROCKER	1	
7	蝶形弹簧 DISK SPRING	4	
8	传动轴 DRIVE SHAFT	1	
9	月牙轴承 SLIDING BEARING	2	
10	月牙轴承座 BEARING SEAT	2	

Rexroth Series

A4VS(M)028/40/45/50/ 71/125/180/250/355/500

NO.	Product Name	QTY	NOTE
1	配流盘(左/右/中) VALVE PLATE(L/R/M)	1	
2	泵胆 CYLINDER BLOCK	1	
3	球铰 BALL GUIDE	1	
4	回程盘 SET PLATE	1	
5	柱塞 PISTON SHOE	9	
6	止推板 SHOE PLATE	1	
7	蝶形弹簧 DISK SPRING	4	
8	驱动轴 DRIVE SHAFT	1	
9	螺钉 BOLT	4	
10	压板 FIX PLATE	2	
11	垫片 SPACER	2	
12	调节垫片 SHIM	1	



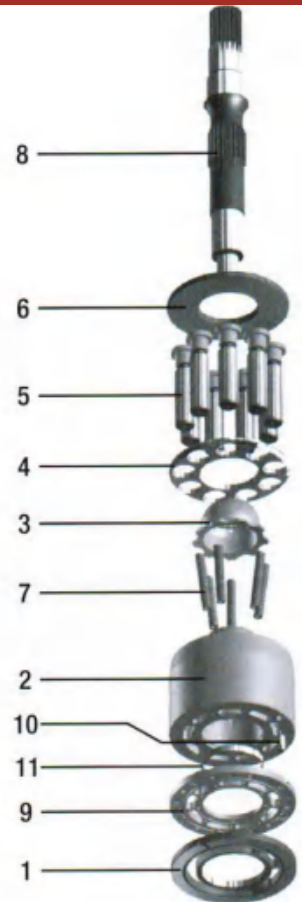
Rexroth Series



**A11V035/50/60/75/95/130/145
160/190/200/250/260/355/500**

NO.	Product Name	QTY	NOTE
1	配流盘(左/右/中) VALVE PLATE(L/R/M)1		
2	泵胆 CYLINDER BLOCK 1		
3	球铰 BALL GUIDE 1		
4	回程盘 SET PLATE 1		
5	柱塞 PISTON 9		
6	摇摆 CAM ROCKER 1		
7	弹簧 COIL SPRING 20		
8	驱动轴 DRIVE SHAFT 1		
9	压板 FIX PLATE 2		
10	垫片 SPACER 2		

Sauer Series



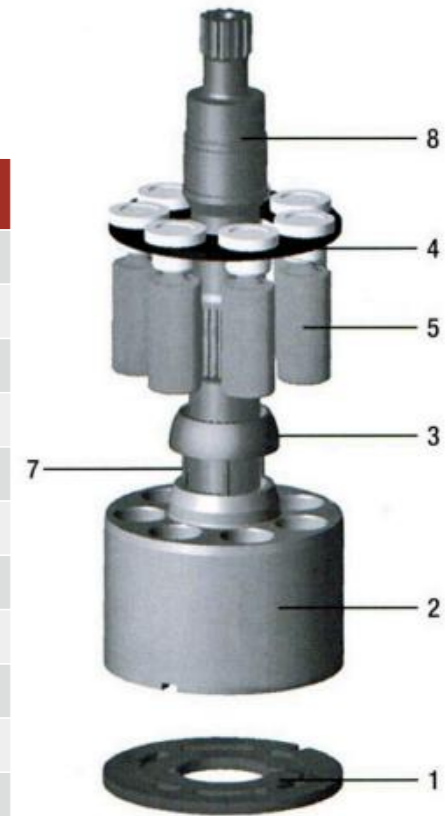
PV(D)18/20/21/22/23/24/25/26/27

NO.	Product Name	QTY	NOTE
1	配流盘(左/右/中) VALVE PLATE(S/R/M)1		
2	泵胆 CYLINDER BLOCK 1		
3	球铰 BALL GUIDE 1		
4	回程盘 SET PLATE 1		
5	柱塞 PISTON 9		
6	止推板 SHOE PLATE 1		
7	弹簧 COIL SPRING 6		
8	驱动轴 DRIVE SHAFT 1		
9	衬板 BEARING DISK 1		
10	定位销 PIN 1		
11	导向圈 GUIDE RING 1		

Sauer Series

MPV046 MF035/46

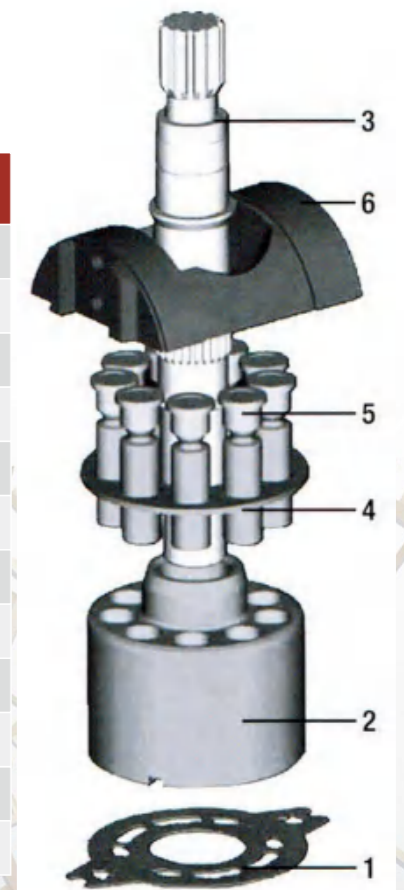
NO.	Product Name	QTY	NOTE
1	配流盘(左/右/中) VALVE PLATE(L/R/M)1		
2	泵胆 CYLINDER BLOCK 1		
3	球铰 BALL GUIDE 1		
4	回程盘 SET PLATE 1		
5	柱塞 PISTON 9		
6	顶针 PUSH PIN 3		
7	驱动轴 DRIVE SHAFT 1		



Sauer Series

**PV90R030/042/055/
075/100/130/180/250**

NO.	Product Name	QTY	NOTE
1	配流盘(左/右/中) VALVE PLATE(L/R/M)1		
2	泵胆 CYLINDER BLOCK 1		
3	传动轴(泵) DRIVE SHAFT(PUMP)1		
4	回程盘 SET PLATE 1		
5	柱塞 PISTON 9		
6	摇摆 CAM ROCKER 4		



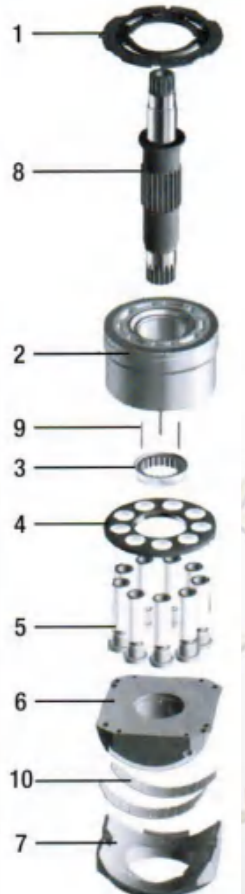
Linde Series



B2PV(BPV)35/50/75/105/140

NO.	Product Name	QTY	NOTE
1	配流盘 VALVE PLATE	1	
2	泵胆 CYLINDER BLOCK	1	
3	中心轴 CENTER PIN	1	
4	回程盘 RETAINER PLATE	1	
5	柱塞 PISTON SHOE	7	
6	球面垫圈 SPHERICAL WASHER 7		
7	配流盘套 VALVE PLATE BUSH 1		

Linde Series



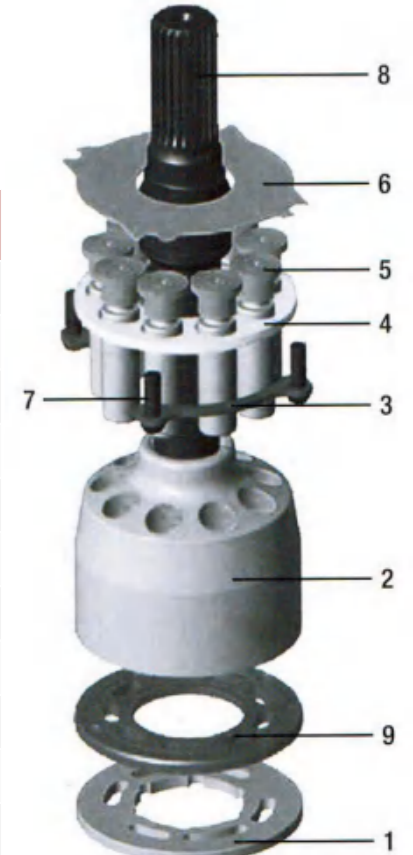
HPR055/75/100/130/135/141/160

NO.	Product Name	QTY	NOTE
1	配流盘(左/右) VALVE PLATE(S/R)	1	
2	泵胆 CYLINDER BLOCK	1	
3	球铰 BALL GUIDE	1	
4	回程盘 SET PLATE	1	
5	柱塞 PISTON	9	
6	摇摆 CAM ROCKER	1	
7	支架(左/右) CRADLE(L/R)	1	
8	驱动轴 DRIVE SHAFT	1	
9	顶针 PIN	3	
10	轴瓦 SLIDING BEARING 2		

Eaton Series

3331-006/0074621 542164237620/78462

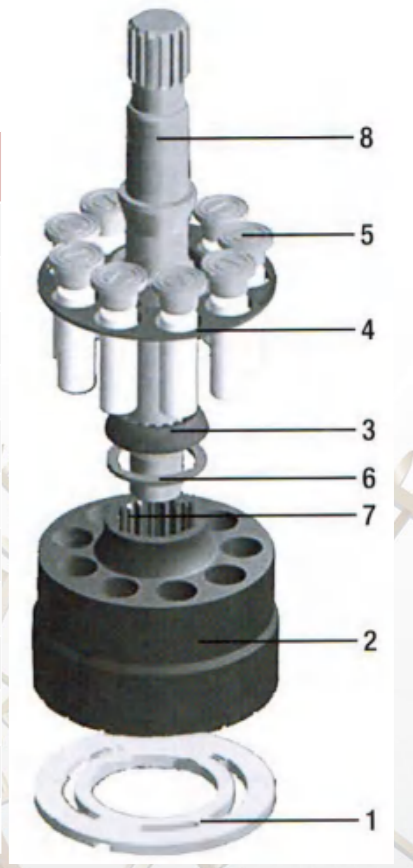
NO.	Product Name	QTY	NOTE
1	配流盘(左/右/中) VALVE PLATE(L/R/M)	1	
2	泵胆 CYLINDER BLOCK	1	
3	压板 FIX PLATE	2	
4	回程盘 SET PLATE	1	
5	柱塞 PISTON	9	
6	止推板 SHOE PLATE	1	
7	螺钉 SOCKET BOLT	4	
8	传动轴 DRIVE SHAFT	1	
9	衬板 BEARING PLATE	1	



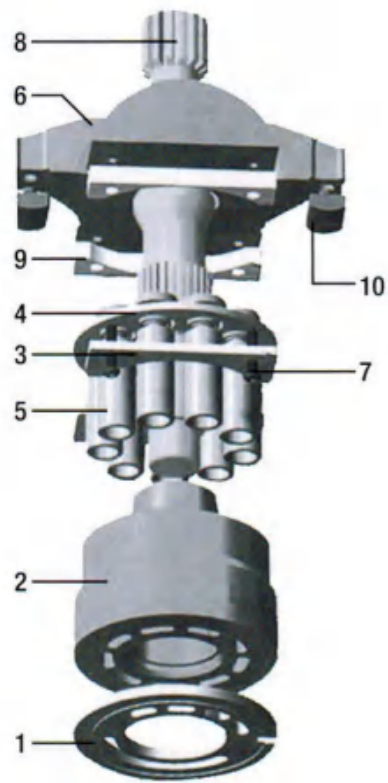
Vickers Series

PVE19/21

NO.	Product Name	QTY	NOTE
1	配流盘(左/右) VALVE PLATE(L/R)	1	
2	泵胆 CYLINDER BLOCK	1	
3	球铰 BALL GUIDE	1	
4	回程盘 SET PLATE	1	
5	柱塞 PISTON SHOE	9	
6	垫圈 RETAINER WASHER 2		
7	顶针 PUSH PIN	3	
8	传动轴 DRIVE SHAFT	1	



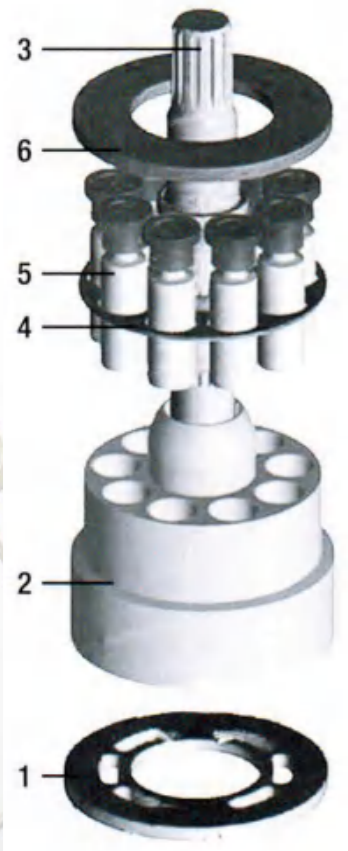
Vickers Series



PVH57/74/98/131/141

NO.	Product Name	QTY	NOTE
1	配流盘(左/右)	VALVE PLATE(L/R) 2	
2	泵胆	CYLINDER BLOCK 1	
3	压板	RETAINER 2	
4	回程盘	SET PLATE 1	
5	柱塞	PISTON SHOE 9	
6	摇摆	CAM ROCKER 1	
7	螺钉	SOCKET BOLT 4	
8	传动轴	DRIVE SHAFT 1	
9	垫块	SPACER 2	
10	顶块	YOKE SHOE 2	

Vickers Series



SPV14/15/18

NO.	Product Name	QTY	NOTE
1	配流盘(左/右)	VALVE PLATE(L/R) 2	
2	泵胆	CYLINDER BLOCK 1	
3	传动轴	DRIVE SHAFT 1	
4	回程盘	SET PLATE 1	
5	柱塞	PISTON SHOE 9	
6	止推板	SHOE PLATE 1	

Vickers Series

TA45

NO.	Product Name	QTY	NOTE
1	配流盘	VALVE PLATE 1	
2	泵胆	CYLINDER BLOCK 1	
3	垫片	SPACER 1	
4	回程盘	SET PLATE 1	
5	柱塞	PISTON SHOE 9	
6	止推板	SHOE PLATE 1	
7	传动轴	DRIVE SHAFT 1	



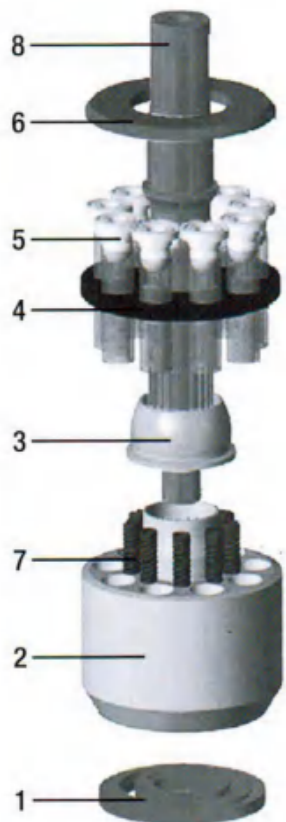
Toshiba Series

PVA82/100/150

NO.	Product Name	QTY	NOTE
1	配流盘	VALVE PLATE 1	
2	泵胆	CYLINDER BLOCK 1	
3	球铰	BALL GUIDE 1	
4	回程盘	SET PLATE 1	
5	柱塞	PISTON SHOE 9	
6	止推板	SHOE PLATE 1	
7	传动轴	DRIVE SHAFT 1	



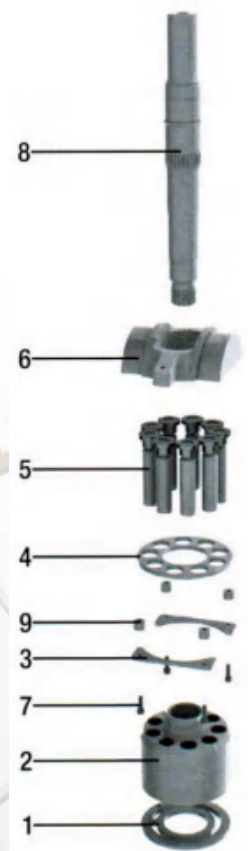
Tokiwa Series



MKV-23/33

NO.	Product Name	QTY	NOTE
1	配流盘 VALVE PLATE	1	
2	泵胆 CYLINDER BLOCK	1	
3	球铰 BALL GUIDE	1	
4	回程盘 SET PLATE	1	
5	柱塞 PISTON SHOE	9	
6	止推板 SHOE PLATE	1	
7	小弹簧 BLOCK SPRING	9	
8	传动轴 DRIVE SHAFT	1	

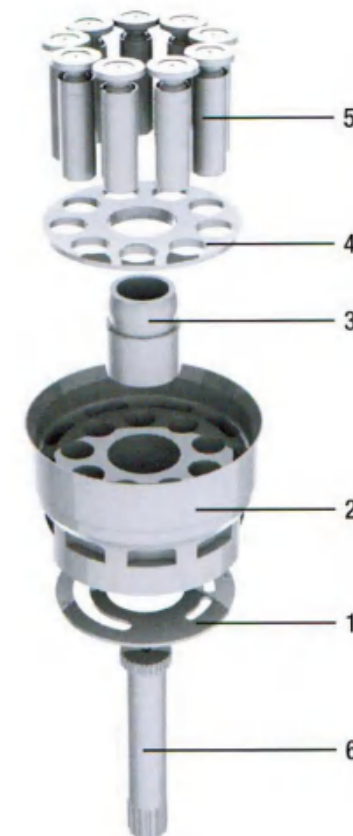
Parker Series



PV016/092/100/150/180

NO.	Product Name	QTY	NOTE
1	配流盘(左/右) VALVE PLATE(L/R)	1	
2	泵胆 CYLINDER BLOCK	1	
3	压板 RETAINER	2	
4	回程盘 SET PLATE	1	
5	柱塞 PISTON SHOE	9	
6	摇摆 CAM ROCKER	1	
7	螺钉 SOCKET BOLT	4	
8	传动轴 DRIVE SHAFT	1	
9	垫块 SPACE	4	

Parker Series



PVAC100

NO.	Product Name	QTY	NOTE
1	配流盘(左/右) VALVE PLATE(L/R)	1	
2	泵胆 CYLINDER BLOCK	1	
3	球铰 BALL GUIDE	1	
4	回程盘 SET PLATE	1	
5	柱塞 PISTON SHOE	9	
6	传动轴 DRIVE SHAFT	1	

Hawe Series

V30D95/140/250

NO.	Product Name	QTY	NOTE
1	配流盘 VALVE PLATE	1	
2	泵胆 CYLINDER BLOCK	1	
3	压板 RETAINER	2	
4	回程盘 SET PLATE	1	
5	柱塞 PISTON SHOE	9	
6	止推板 SHOE PLATE	1	
7	螺钉 SOCKET PLATE	4	
8	传动轴 DRIVE SHAFT	1	
9	衬板 BEARING PALTE	1	

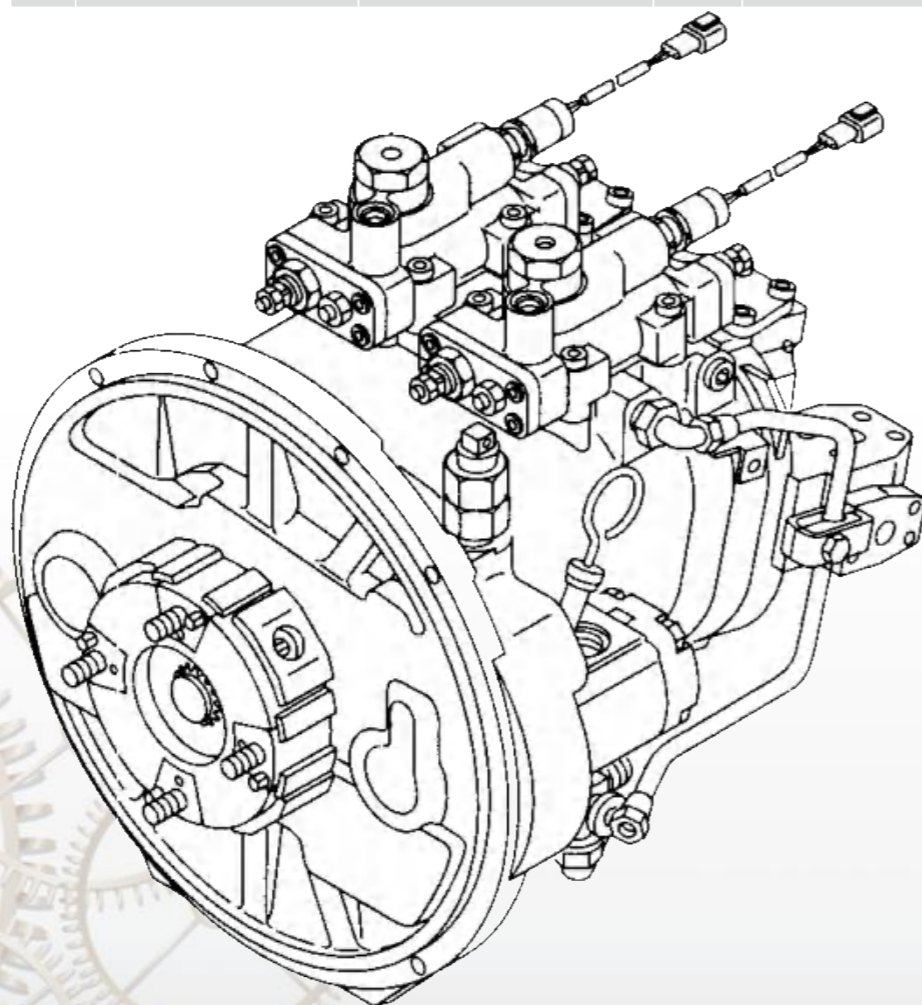


Hawe Series



V60N90/110

NO.	Product Name	QTY	NOTE
1	配流盘(左/右)	VALVE PLATE(L/R)	1
2	泵胆	CYLINDER BLOCK	1
3	球铰	BALL GUIDE	1
4	回程盘	SET PLATE	1
5	柱塞	PISTON SHOE	9
6	摇摆	CAM ROCKER	1
7	顶针	PUSH PIN	3
8	传动轴	DRIVE SHAFT	1
9	压板	RETAINER	2
10	螺钉	SOCKET BOLT	4



Relief Valve

Relief Valve



YNF01273
171-0030 E320/C



YNF05020
360-4599 320D



YNF04149
J2310A9997-1



YNF01673
204-2678 E330D E320D



YNF05021
147-4163



YNF01935
EX200-5 4372038



YNF02498
107-7033



YNF03201
DH150



YNF01936
4358914

Relief Valve



YNF01937
4654860



YNF02515
4659820



YNF02516
4469298



YNF03613
0816502 ZAX330



YNF03803
4386637 ZAX270 ZAX240



YNF03968
YA00004934



YNF05069
4228354



YNF05147
4228358



YNF05178
9208771 ZX160



YNF02927
XKBL-00003 R140-9



YNF02943
XKBF-00094 R290-7



YNF02943
XKBF-00094 R215-7



YNF02992
XJBN-00162



YNF02993
XJBN-00653



YNF03645
XKBF-01292

Relief Valve



YNF00774
YN22V00001F1



YNF02638
LQ22U00002F1



YNF03980
VA32G6109200



YNF01199
723-40-71102



YNF01923
723-40-57200



YNF01924
723-40-93601



YNF01925
708-2L-06780



YNF01929
723-40-56900



YNF01930
723-40-91500



YNF01932
723-40-56100



YNF01933
723-46-43200



YNF01934
723-46-48100



YNF01942
709-70-74302



YNF01943
708-2L-04713



YNF01944
723-46-46300

Relief Valve



YNF01946
723-40-51102



YNF01947
723-40-60101



YNF01948
723-46-46101



YNF01965
708-2G-03710



YNF02351
723-30-50101



YNF02496
723-40-91102



YNF02497
723-40-92403



YNF02637
723-40-56302 PC200-6



YNF02691
709-90-52302 PC300-5



YNF02692
723-40-50300 PC300-6



YNF02693
723-40-92102 PC300-7



YNF02694
723-40-93800 PC300-8



YNF02870
709-70-51401 PC200-5



YNF02953
709-70-51200 PC200-3



YNF03001
723-40-92200

Relief Valve



YNF04431
709-90-52202 PC300-5



YNF04485
702-77-02170



YNF04390
LJ015010



YNF02505
VOE 14524582 EC210



YNF02506
VOE 14513267



YNF02507
VOE 14577745



YNF02508
VOE 14577744



YNF02509
VOE 14561300



YNF02510
VOE 14552974



YNF02511
VOE 14597185



YNF02512
VOE 14513185



YNF02513
SA8230-12560



YNF02514
VOE 14597193



YNF02636
Lonking 907



YNF02999
8-9731869-0